

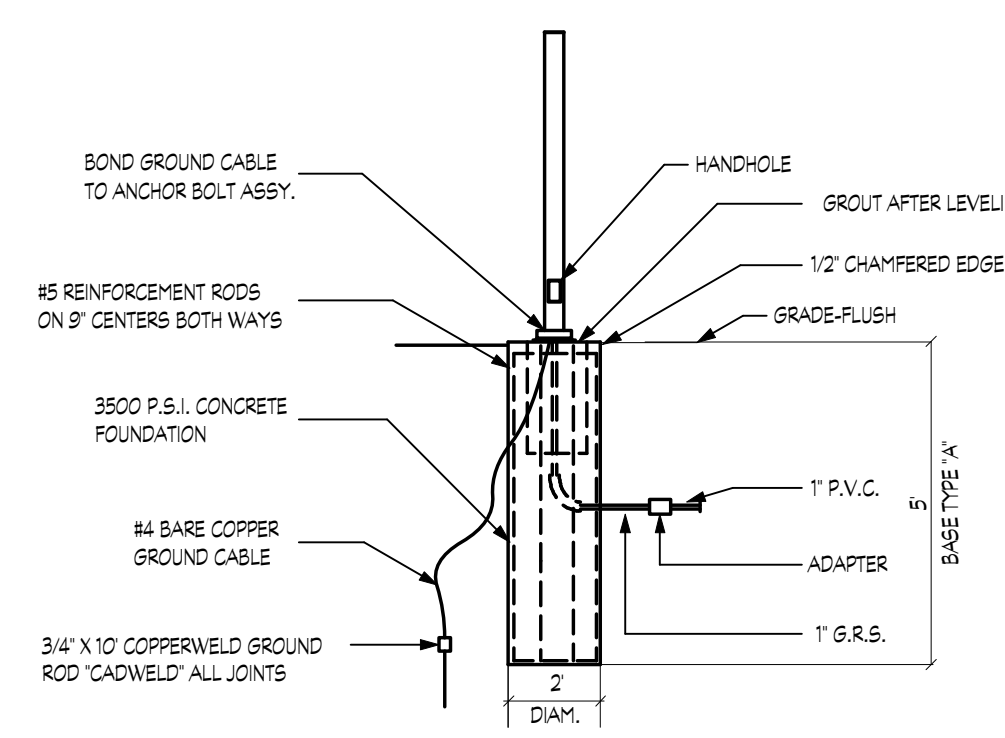
**MAINTENANCE BLDG. SITE LIGHTING CONTROL DIAGRAM**  
SCALE: NONE

**OFFICE BLDG. SITE LIGHTING CONTROL DIAGRAM**  
SCALE: NONE

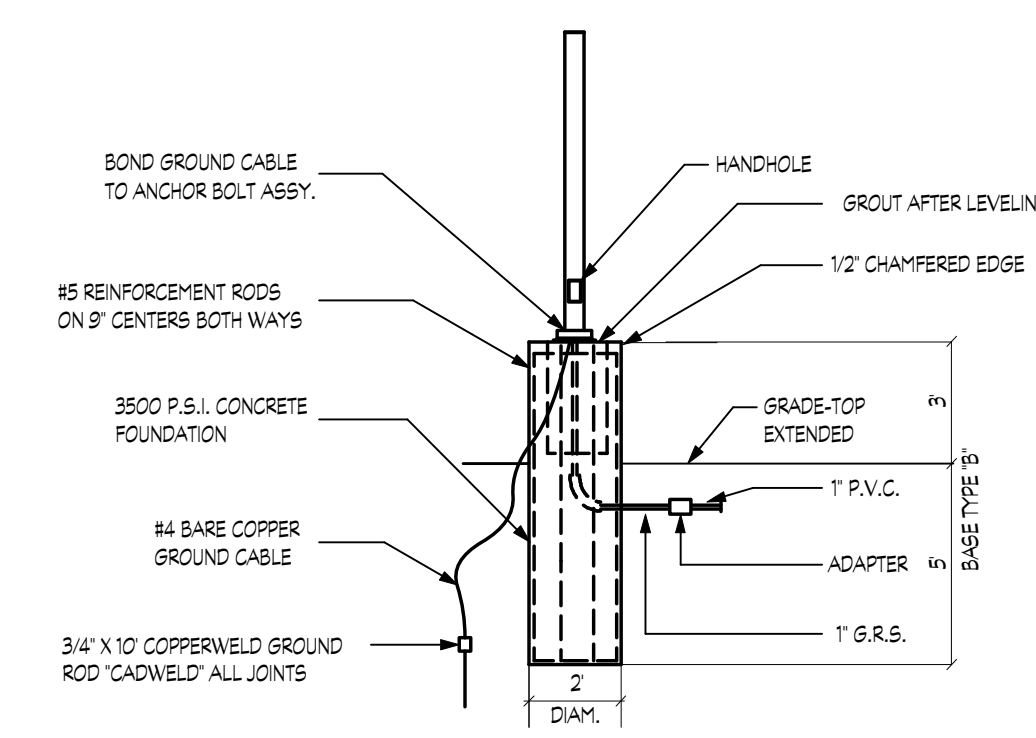
**GENERAL NOTES**  
1. COORDINATE PHOTOCELL, TIME CLOCK AND LIGHTING CONTACTOR PANELS WITH OFFICE BUILDING OWNER/CONTRACTOR.

SITE LIGHTING FIXTURE SCHEDULE		POLE/BASE/MOUNTING	BASE BID	ALTERNATE #1
A	POLE MOUNT SHOE BOX FIXTURE, TYPE II DISTRIBUTION, TEMPERED GLASS LENS, 480V BALLAST, BRONZE FINISH, 1 HEAD	25' HIGH, ROUND STRAIGHT STEEL, CROSS SECTION AND WALL THICKNESS TO SUIT LUMINAIRE EPA AT 100 MPH WIND	MCGRRAW-EDISON# TLM-A06-LED-480-T2-BZ-MA1010-BZ OR EQUAL	MCGRRAW-EDISON# TLM-250-MP-480-25-FG-BZ-MA1010-BZ OR EQUAL
B	POLE MOUNT SHOE BOX FIXTURE, TYPE V DISTRIBUTION, TEMPERED GLASS LENS, 480V BALLAST, BRONZE FINISH, 2 HEADS @ 90°	25' HIGH, ROUND STRAIGHT STEEL, CROSS SECTION AND WALL THICKNESS TO SUIT LUMINAIRE EPA AT 100 MPH WIND	MCGRRAW-EDISON# TLM-A06-LED-480-5WQ-BZ-MA1011-BZ OR EQUAL	MCGRRAW-EDISON# TLM-250-MP-480-55-FG-BZ-MA1011-BZ OR EQUAL
C	POLE MOUNT SHOE BOX FIXTURE, TYPE IV DISTRIBUTION, TEMPERED GLASS LENS, 480V BALLAST, BRONZE FINISH, 2 HEADS @ 90°	25' HIGH, ROUND STRAIGHT STEEL, CROSS SECTION AND WALL THICKNESS TO SUIT LUMINAIRE EPA AT 100 MPH WIND	MCGRRAW-EDISON# TLM-A06-LED-480-T4-BZ-MA1014-BZ OR EQUAL	MCGRRAW-EDISON# TLM-250-MP-480-45-FG-BZ-MA1014-BZ OR EQUAL
D	POLE MOUNT SHOE BOX FIXTURE, TYPE II DISTRIBUTION, TEMPERED GLASS LENS, 480V BALLAST, BRONZE FINISH, 2 HEADS @ 90°	25' HIGH, ROUND STRAIGHT STEEL, CROSS SECTION AND WALL THICKNESS TO SUIT LUMINAIRE EPA AT 100 MPH WIND	MCGRRAW-EDISON# TLM-A06-LED-480-T2-BZ-MA1014-BZ OR EQUAL	MCGRRAW-EDISON# TLM-250-MP-480-25-FG-BZ-MA1014-BZ OR EQUAL
E	POLE MOUNT SHOE BOX FIXTURE, TYPE II DISTRIBUTION, TEMPERED GLASS LENS, 208V BALLAST, BRONZE FINISH, 1 HEAD	25' HIGH, ROUND STRAIGHT STEEL, CROSS SECTION AND WALL THICKNESS TO SUIT LUMINAIRE EPA AT 100 MPH WIND	MCGRRAW-EDISON# TLM-A06-LED-208-T2-BZ-MA1010-BZ OR EQUAL	MCGRRAW-EDISON# TLM-250-MP-208-25-FG-BZ-MA1010-BZ OR EQUAL
F	POLE MOUNT SHOE BOX FIXTURE, TYPE IV DISTRIBUTION, TEMPERED GLASS LENS, 208V BALLAST, BRONZE FINISH, 2 HEADS @ 90°	25' HIGH, ROUND STRAIGHT STEEL, CROSS SECTION AND WALL THICKNESS TO SUIT LUMINAIRE EPA AT 100 MPH WIND	MCGRRAW-EDISON# TLM-A06-LED-208-T4-BZ-MA1014-BZ OR EQUAL	MCGRRAW-EDISON# TLM-250-MP-208-45-FG-BZ-MA1014-BZ OR EQUAL
G	POLE MOUNT SHOE BOX FIXTURE, TYPE V DISTRIBUTION, TEMPERED GLASS LENS, 208V BALLAST, BRONZE FINISH, 2 HEADS @ 180°	25' HIGH, ROUND STRAIGHT STEEL, CROSS SECTION AND WALL THICKNESS TO SUIT LUMINAIRE EPA AT 100 MPH WIND	MCGRRAW-EDISON# TLM-A06-LED-208-5WQ-BZ-MA1011-BZ OR EQUAL	MCGRRAW-EDISON# TLM-250-MP-208-55-FG-BZ-MA1011-BZ OR EQUAL
SC	SURFACE MOUNTED SQUARE CANOPY FIXTURE, POLYCARBONATE VANDAL RESISTANCE PRISMATIC REFLECTOR, GASKETED AND WET LISTED, 120V ELECTRONIC BALLAST	SURFACE MOUNTED TO CANOPY	MCGRRAW-EDISON# CNG-A01-LED-E1-SQ-BZ OR EQUAL	FAIL-SAFE# FS-P-226-120-EBT2 OR EQUAL
SP1	GROUND MOUNTED 70W METAL HALIDE FLOOD LIGHT, DARK BRONZE FINISH, TEMPERED GLASS LENS, TOP & SIDE VISORS ALIGN VERTICALLY AND AIM AT CENTERLINE OF SIGN	STANCHION MOUNTED IN A 1'-0" DIAMETER, 2'-0" DEEP CONCRETE BASE	MCGRRAW-EDISON# ASF-F-70-MH-480-65-BZ TV/AS-BZ, SV/AS-BZ OR EQUAL	
SP2	GROUND MOUNTED 400W METAL HALIDE FLOOD LIGHT, DARK BRONZE FINISH, TEMPERED GLASS LENS, TOP & SIDE VISORS ALIGN VERTICALLY AND AIM AT CENTERLINE OF FLAG POLE	STANCHION MOUNTED IN A 1'-0" DIAMETER, 2'-0" DEEP CONCRETE BASE	MCGRRAW-EDISON# AMF-F-400-MH-480-62-BZ, TV/AS-BZ, SV/AS-BZ OR EQUAL	

NOTES:  
A-A  
FIXTURE TYPE  
BASE TYPE



**LIGHT POLE BASE TYPE 'A' DETAIL**  
NOT TO SCALE



**LIGHT POLE BASE TYPE 'B' DETAIL**  
NOT TO SCALE

DRAWINGS E100, E101, E300, E301, E302 ARE PART OF 2 BID PACKAGES/PROJECTS. THOSE PROJECTS ARE THE "TCC/SHORE TRANSIT MAINTENANCE FACILITY" FUNDED BY MTA AND THE "CAREER CENTER SITE IMPROVEMENTS PROJECT" FUNDED BY EDA & USDA. CONTRACTOR SHALL REFER TO MATCH LINES AND NOTES FOR APPLICABLE SCOPE. REMAINING INFORMATION IS FOR REFERENCE.

PROJECT TITLE  
**CAREER CENTER  
SITE IMPROVEMENTS  
PROJECT**  
EDA# 01-01-14018

31901 TRI-COUNTY WAY  
SALISBURY, MD. 21804

100% CD'S  
ISSUED FOR BIDDING

07/20/11

SHEET TITLE  
**ELECTRICAL SITE  
PLAN - DETAILS,  
DIAGRAMS &  
SCHEDULES**

Mark	Date	Description
Project Number	2009145.00	
Date	07/20/11	
Scale	NONE	
Drawn By	SM	Checked By AK

**E302**