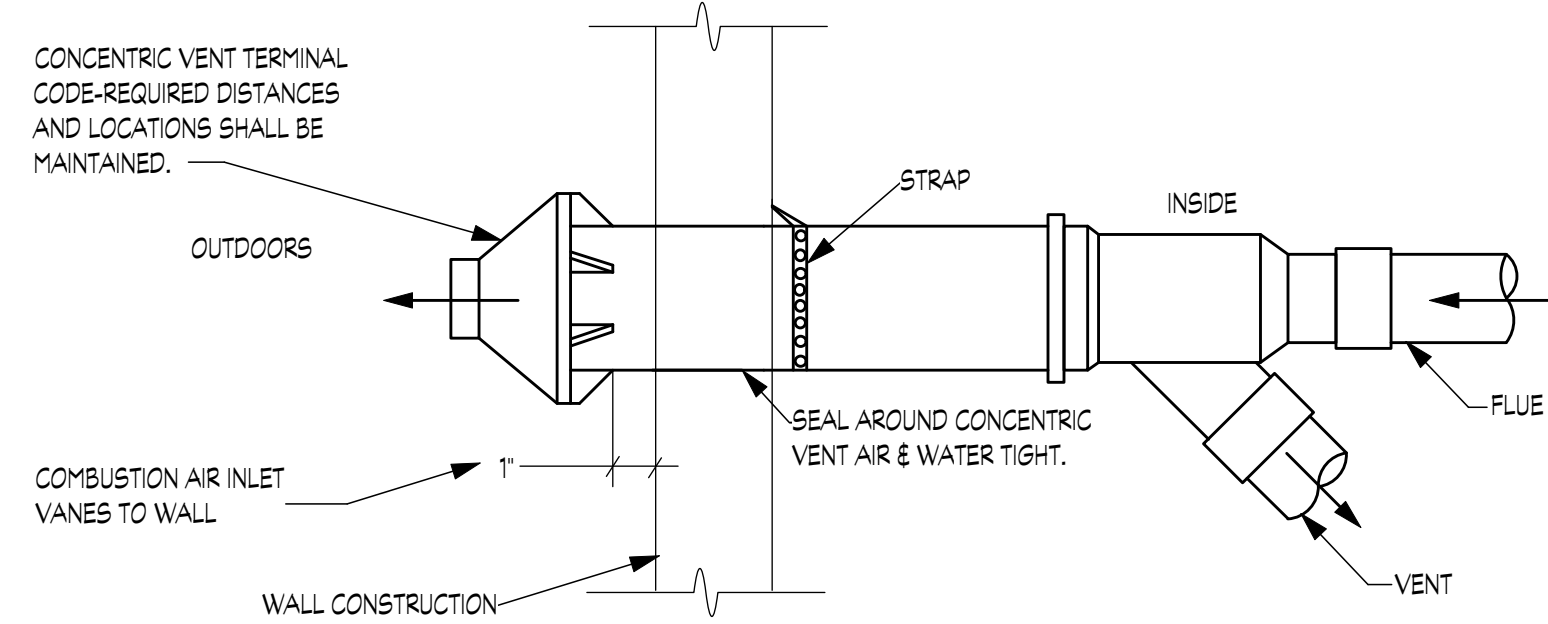
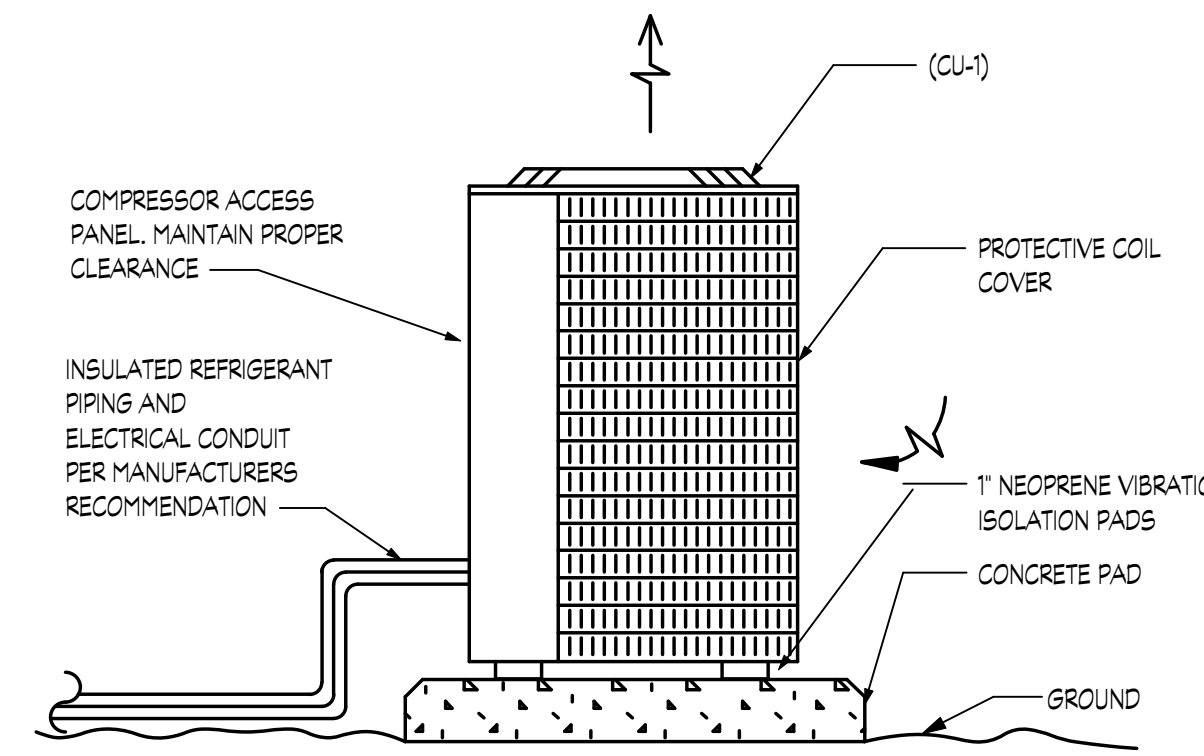


**LOW PRESSURE RECTANGULAR DUCT TAP WITH VOLUME DAMPER DETAIL**  
NO SCALE

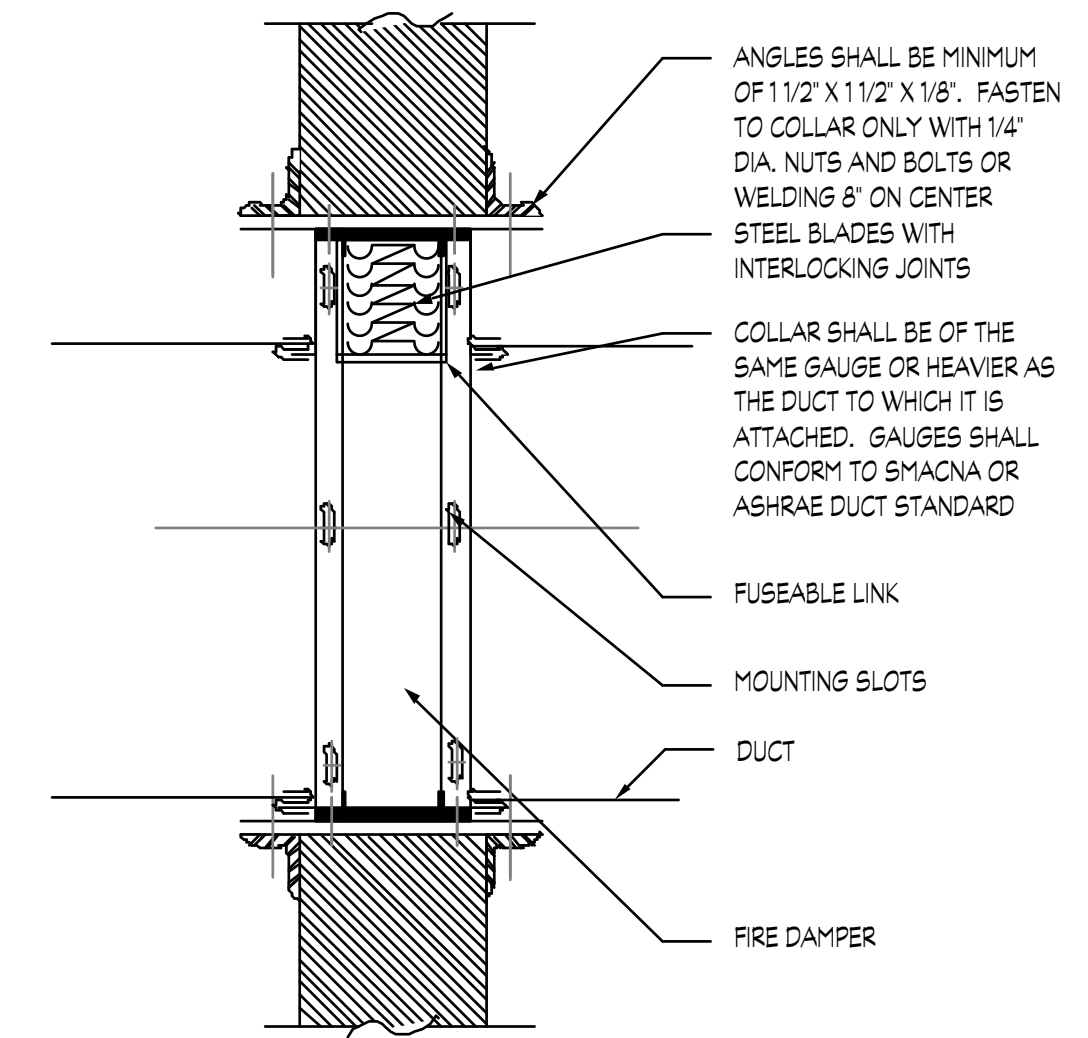


**CONCENTRIC VENT WALL PENETRATION DETAIL**  
NO SCALE

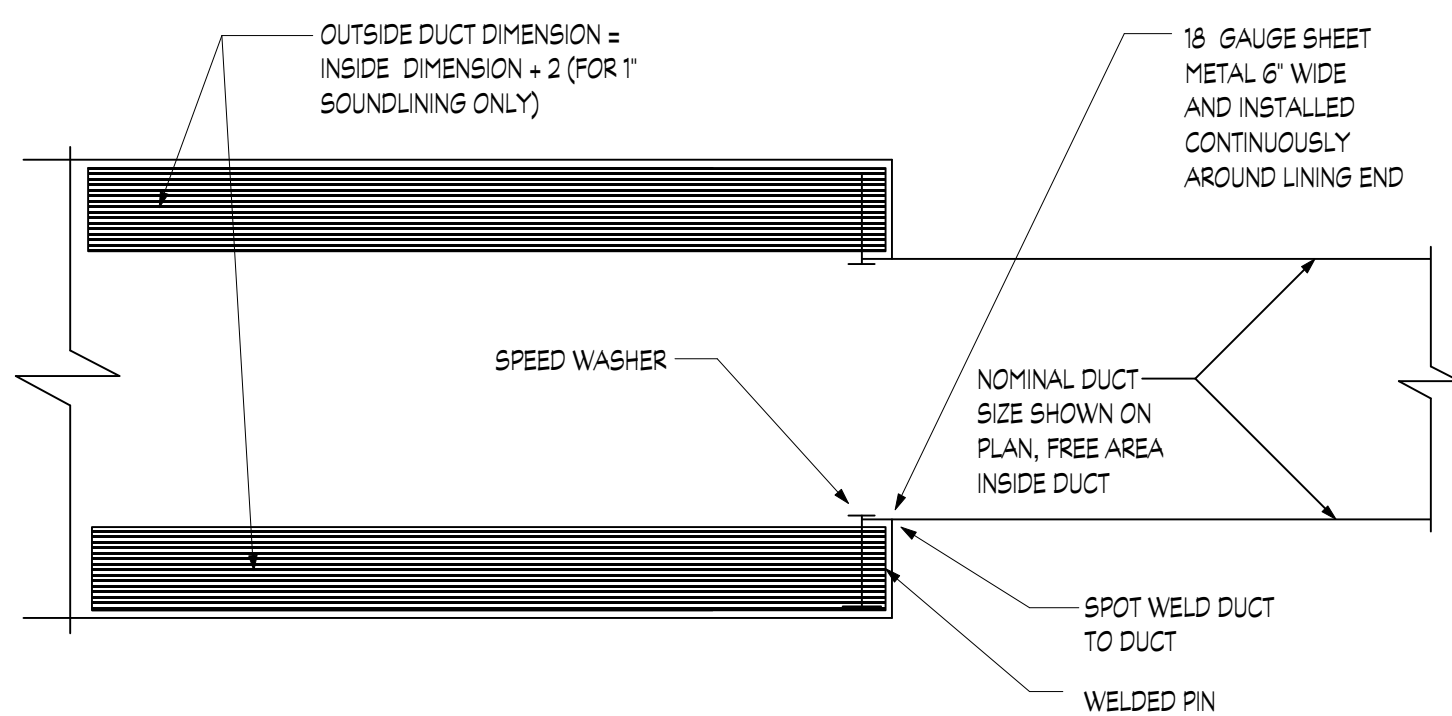
NOTE:  
SECURING STRAP MUST BE FIELD INSTALLED TO PREVENT MOVEMENT TO CONCENTRIC VENT TERMINAL INSIDE WALL.



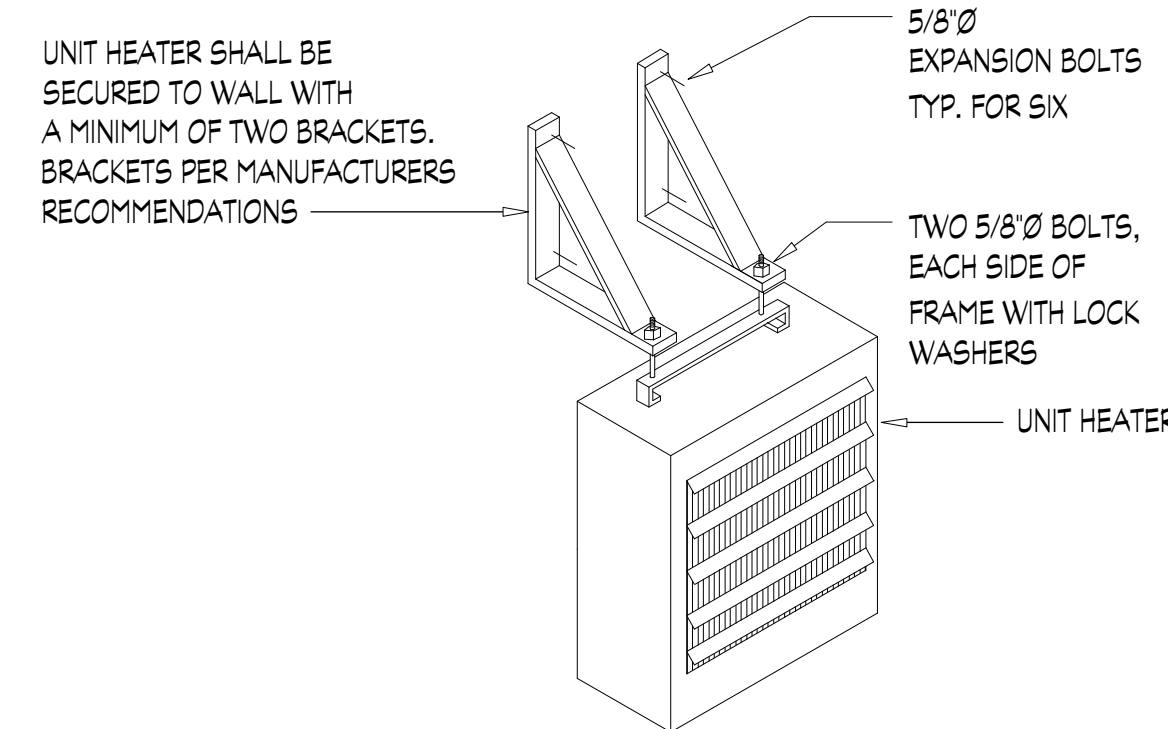
**MOUNTING PAD CONDENSING UNIT DETAIL**  
NO SCALE



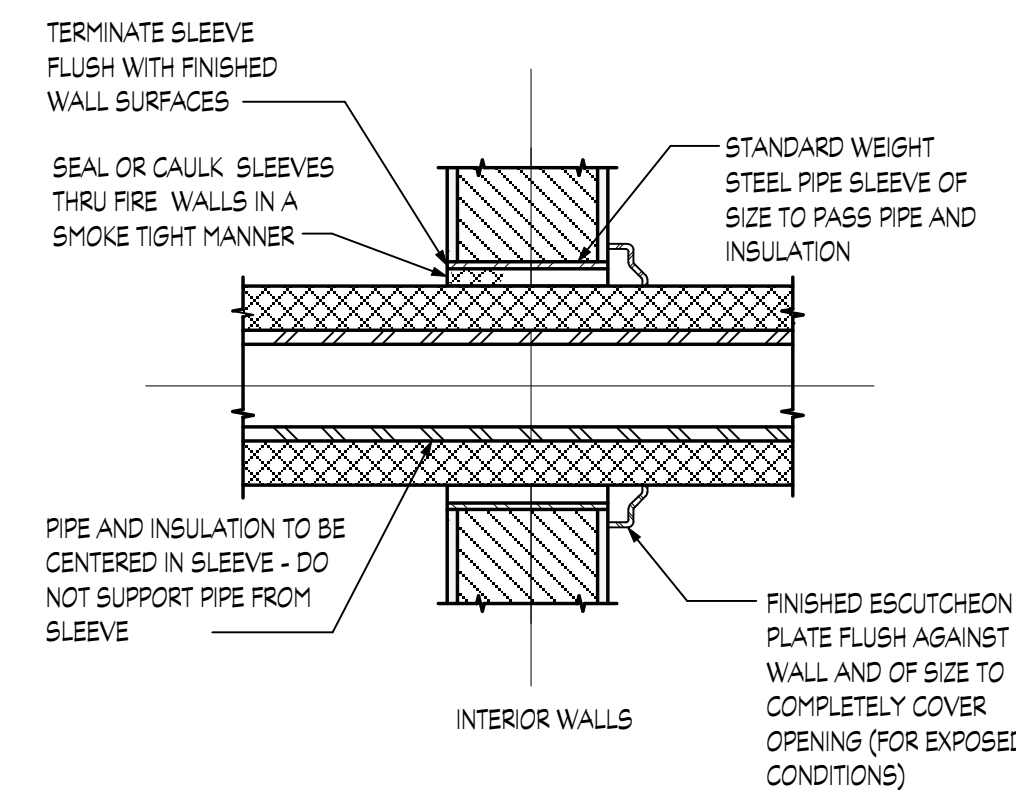
**FIRE DAMPER DETAIL**  
NO SCALE



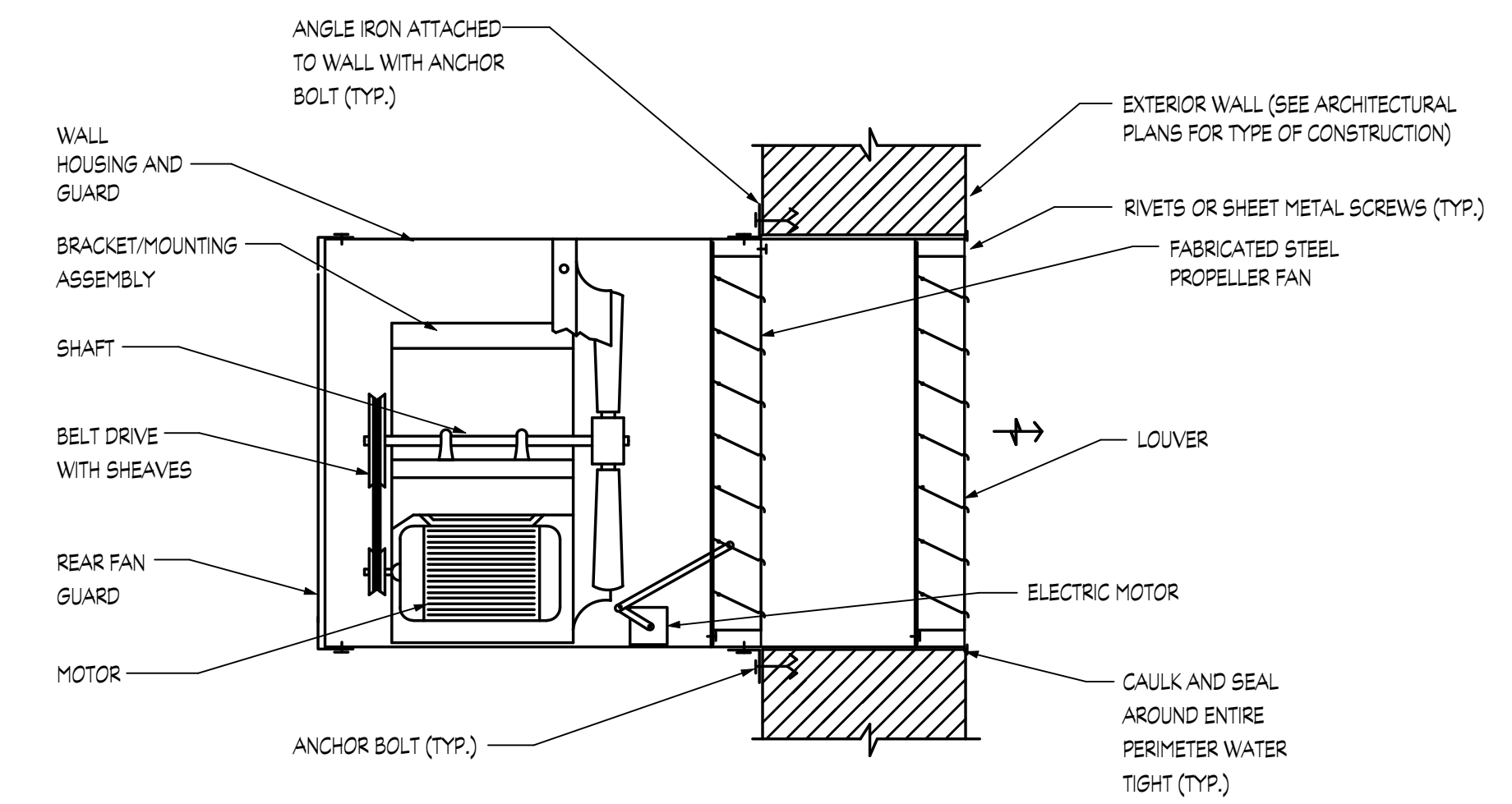
**SOUNDLINER DETAIL**  
NO SCALE



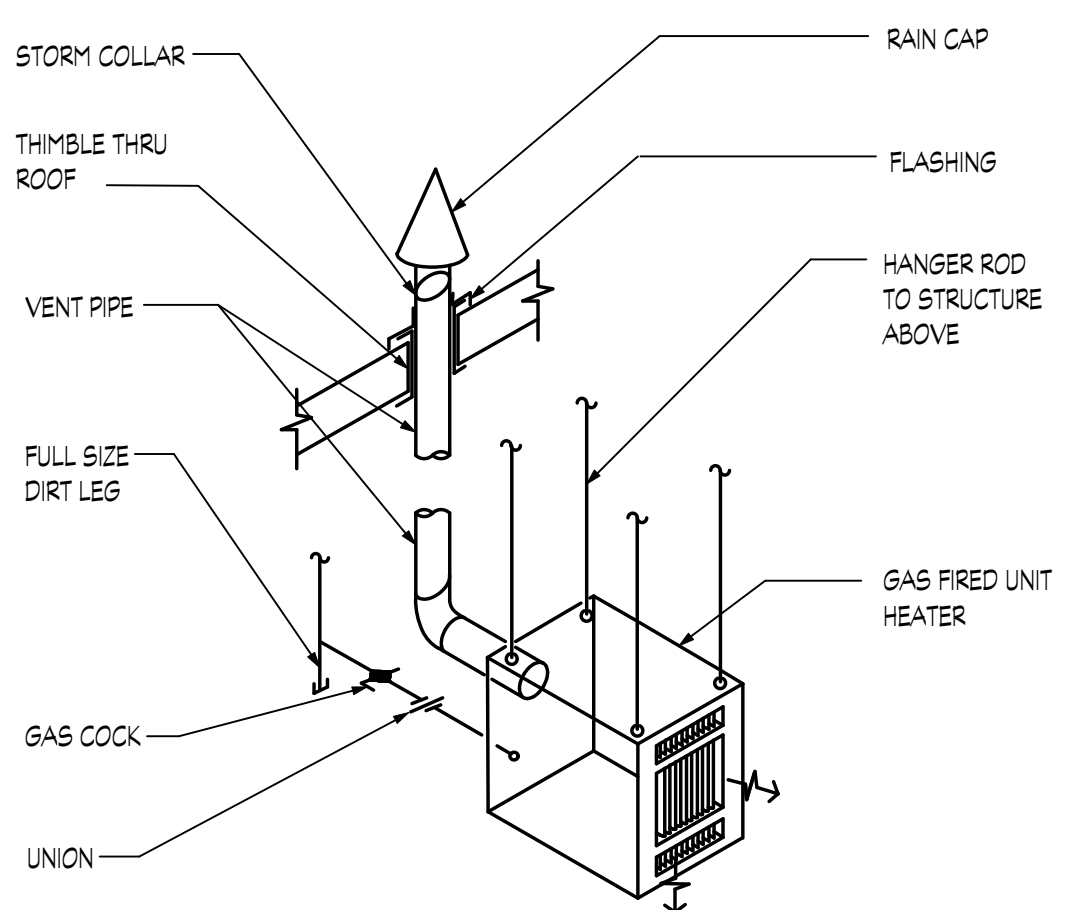
**ELECTRIC UNIT HEATER DETAIL**  
NO SCALE



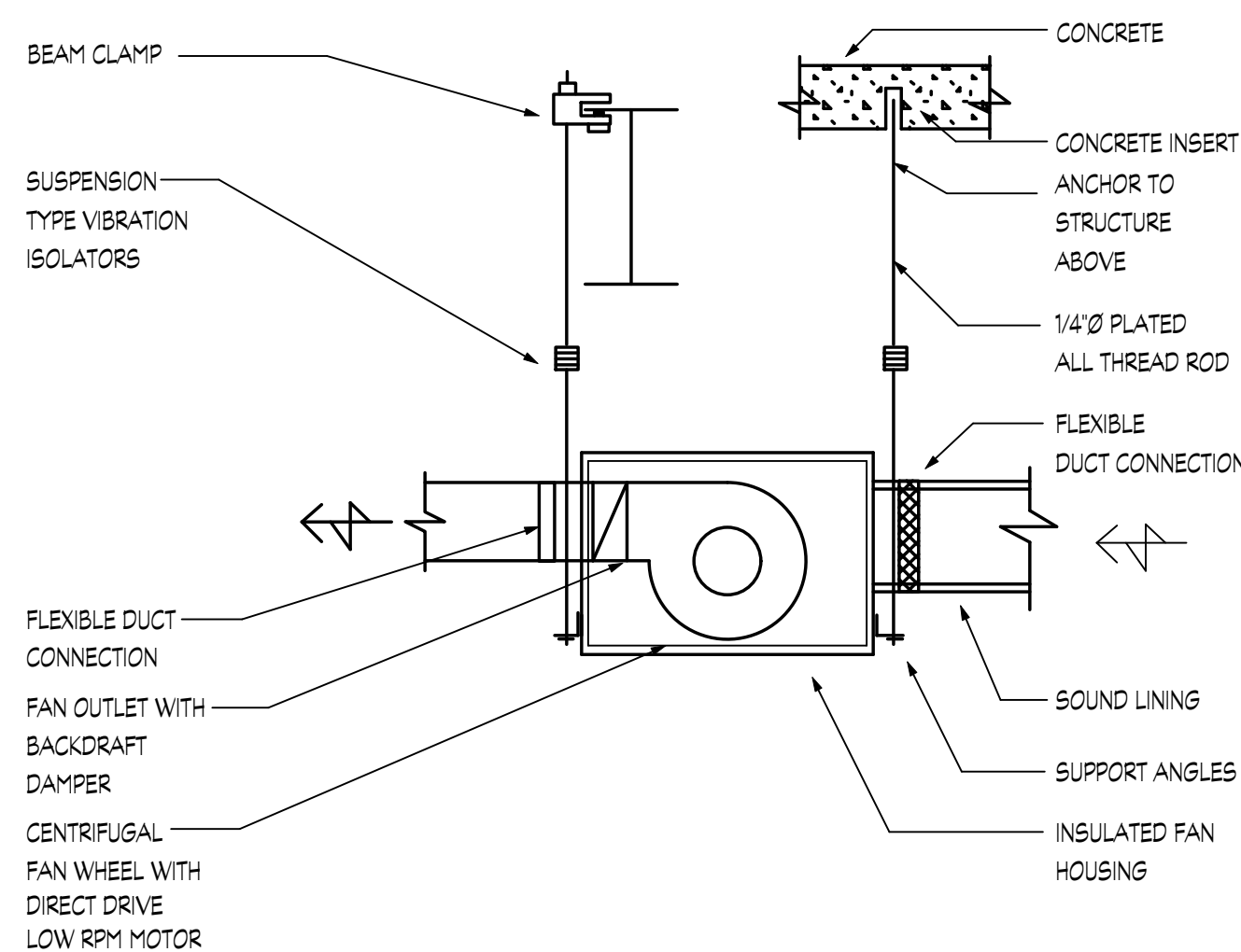
**PIPE SLEEVE DETAIL**  
NO SCALE



**WALL MOUNTED PROPELLER TYPE EXHAUST FAN DETAIL**  
NO SCALE

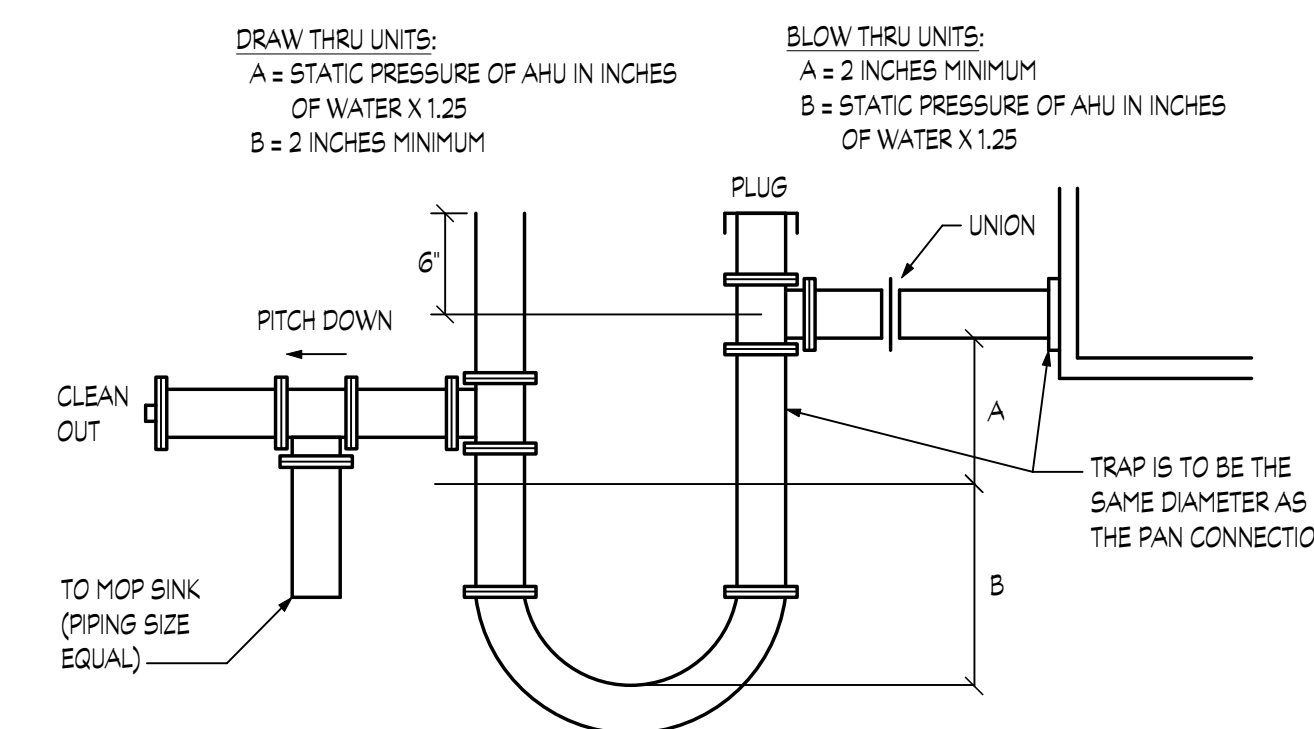


**GAS FIRED UNIT HEAT INSTALLATION DETAIL**  
NO SCALE



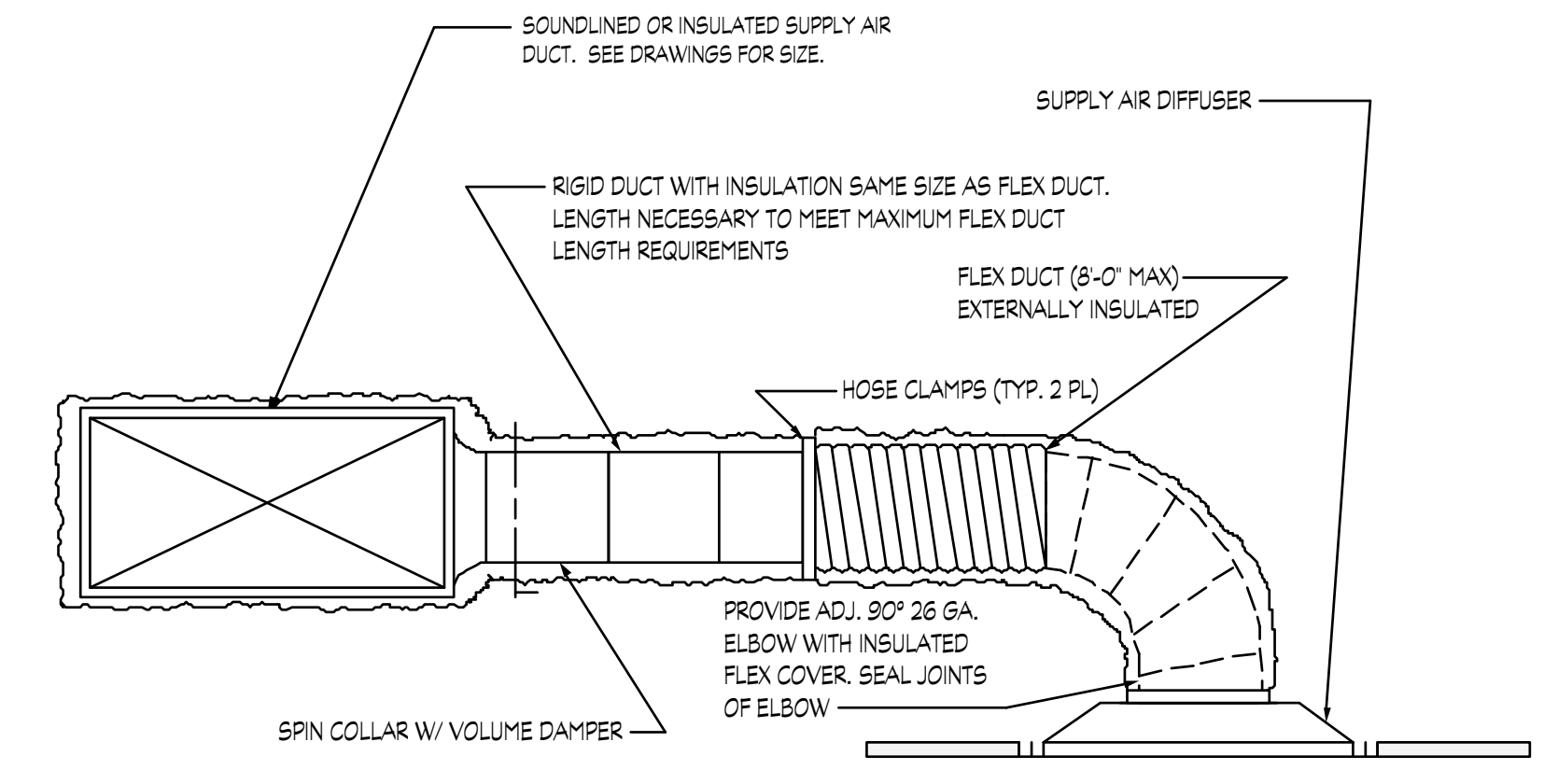
**IN-LINE EXHAUST FAN DETAIL**  
NO SCALE

NOTE:  
1. PROVIDE VARIABLE SPEED SWITCH ON THE SIDE OF THE CASING FOR FINAL AIR BALANCE.



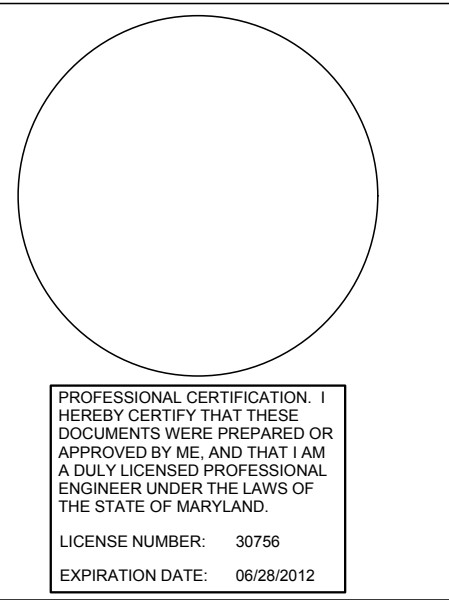
**COOLING COIL CONDENSATE TRAP**  
NO SCALE

NOTE:  
PROVIDE INTERMEDIATE DRAIN PAN FOR MULTIPLE (STACKED) COOLING COILS. PIPE INTERMEDIATE DRAIN PAN TO BOTTOM DRAIN PAN



**SUPPLY AIR DIFFUSER CONNECTION DETAIL**  
NOT TO SCALE

NOTES:  
1. USE SPIN-IN FITTING WHERE TAP SIZE IS 2\"/>



PROJECT TITLE

**TCC/SHORE TRANSIT BUS MAINTENANCE FACILITY - PHASE II**

31955 TRI-COUNTY WAY  
SALISBURY, MD. 21804

ISSUED FOR BIDDING  
DATE: 01/05/12

SHEET TITLE

**MECHANICAL DETAILS**

Mark	Date	Description

Project Number	2009145.00
Date	01/05/12
Scale	NONE
Drawn By	AM   Checked By DC

**M102**