

"Professional Certification. I hereby certify that these documents were prepared or approved by me, and that I am a duly licensed professional engineer under the laws of the state of Maryland, License No. 16961, Expiration Date: 2012-06-14."

PROJECT TITLE

**TCC/SHORE
TRANSIT
EXISTING
BUILDING**

31901 TRI-COUNTY WAY
SALISBURY, MD 21804

ISSUED
FOR BIDDING ONLY
DATE: 03/29/11

SHEET TITLE

**FLOOR PLAN
LIGHTING**

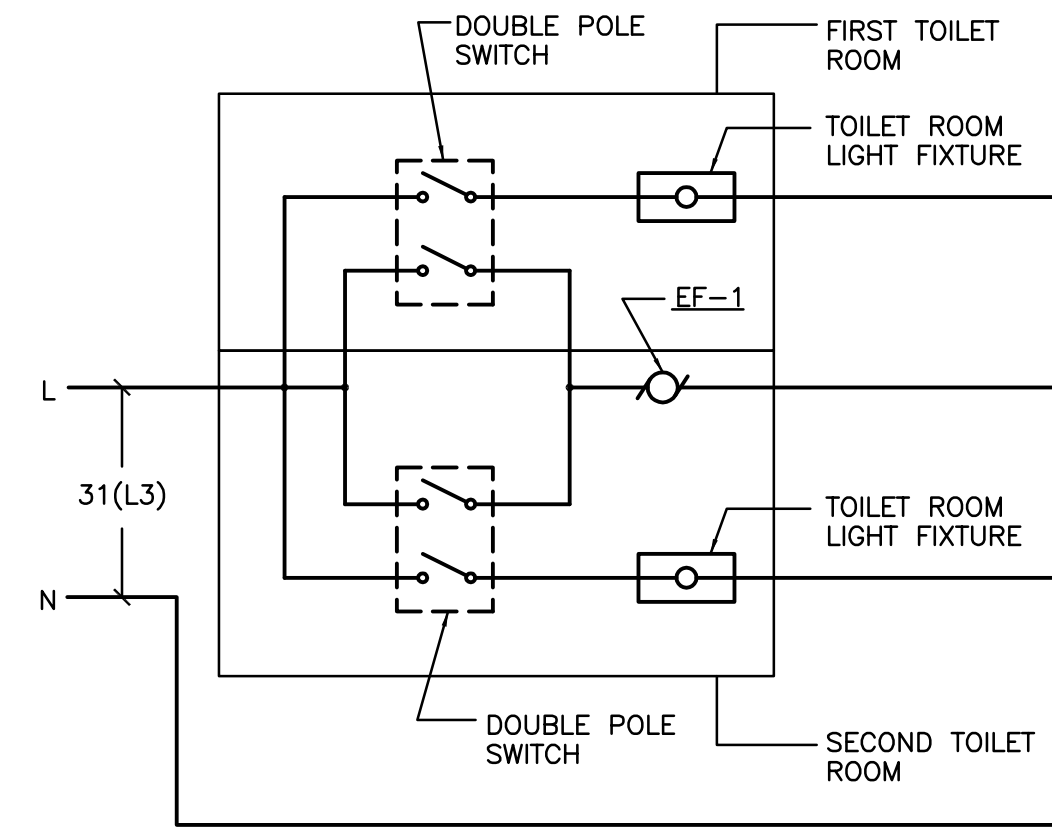
KEY PLAN

MARK	DATE	DESCRIPTION
	03/29/11	ISSUED FOR BIDDING
	2/1/2011	ISSUED FOR BIDDING
PROJECT NO: 2009145.00		
DATE: 03/29/11		
SCALE:		
DRAWN BY: MH		PROJ MGR: DAS

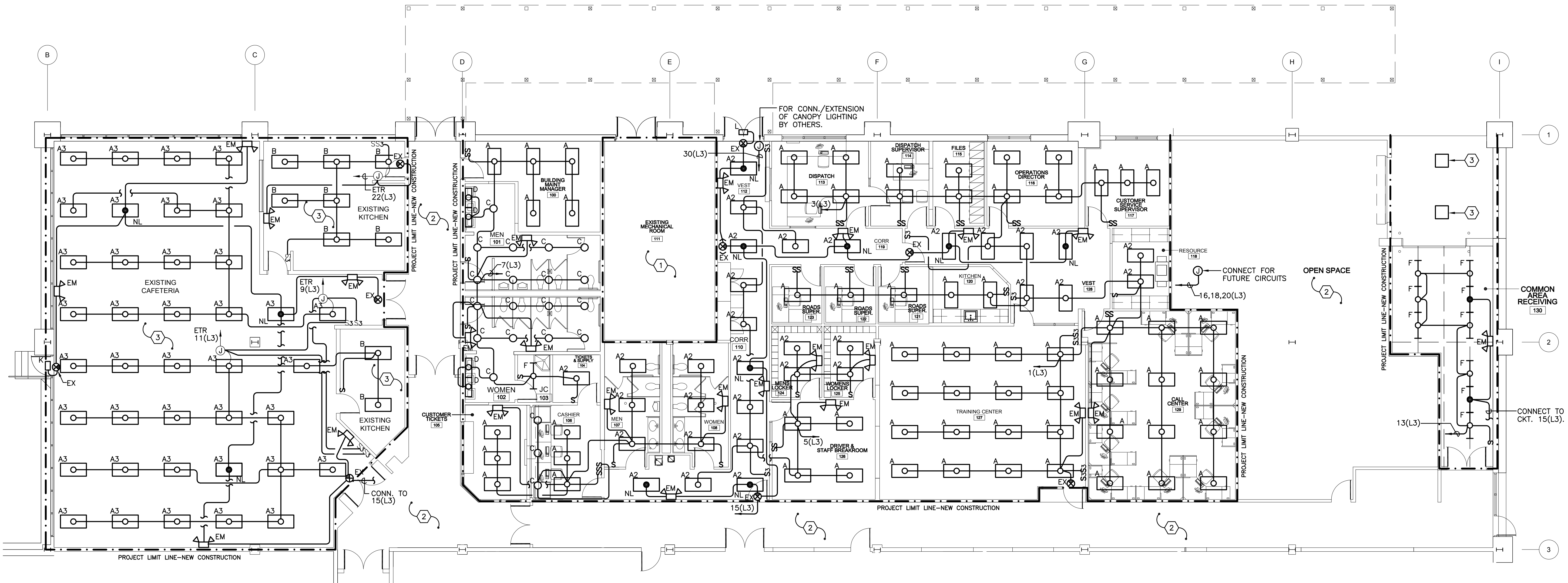
E200

SPECIFIC NOTES (APPLY TO DRAWING E200 WHERE INDICATED):

- ① THIS AREA IS EXISTING TO REMAIN.
- ② WORK IN THIS AREA PROVIDED UNDER SEPARATE CONTRACT.
- ③ LIGHTING FIXTURES IN THIS AREA ARE TO BE REMOVE BY OTHERS UNDER A SEPARATE CONTRACT. FEEDER CIRCUIT TO REMAIN. PROVIDE WIRE/CONDUIT AS REQUIRED TO MEET INTENDED CIRCUITRY SHOWN. PROVIDE REQUIRED MATERIALS NECESSARY FOR COMPLETE INSTALLATION AND SATISFACTORY OPERATION.



**② TOILET ROOM FAN AND
LIGHTS WIRING DIAGRAM**
NOT TO SCALE



① FLOOR PLAN - LIGHTING
SCALE: 1/8" = 1'-0"

