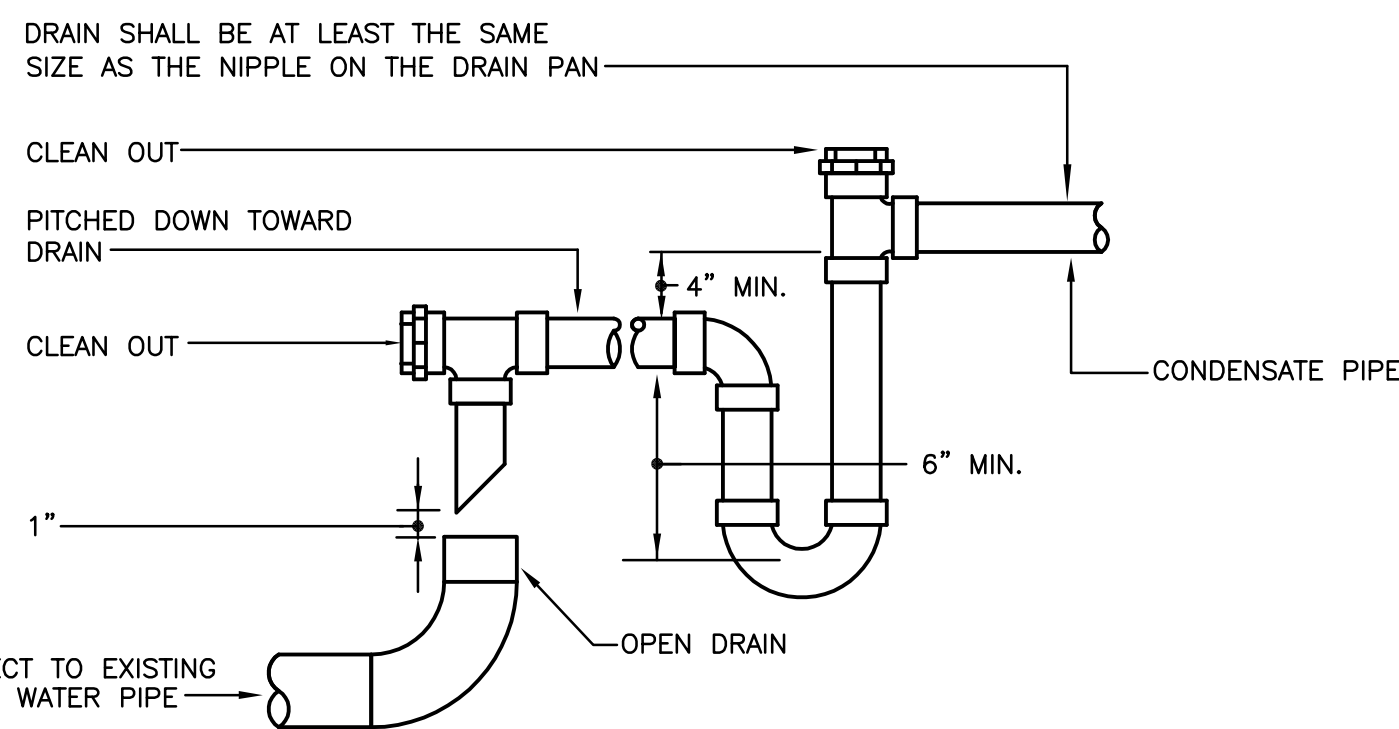
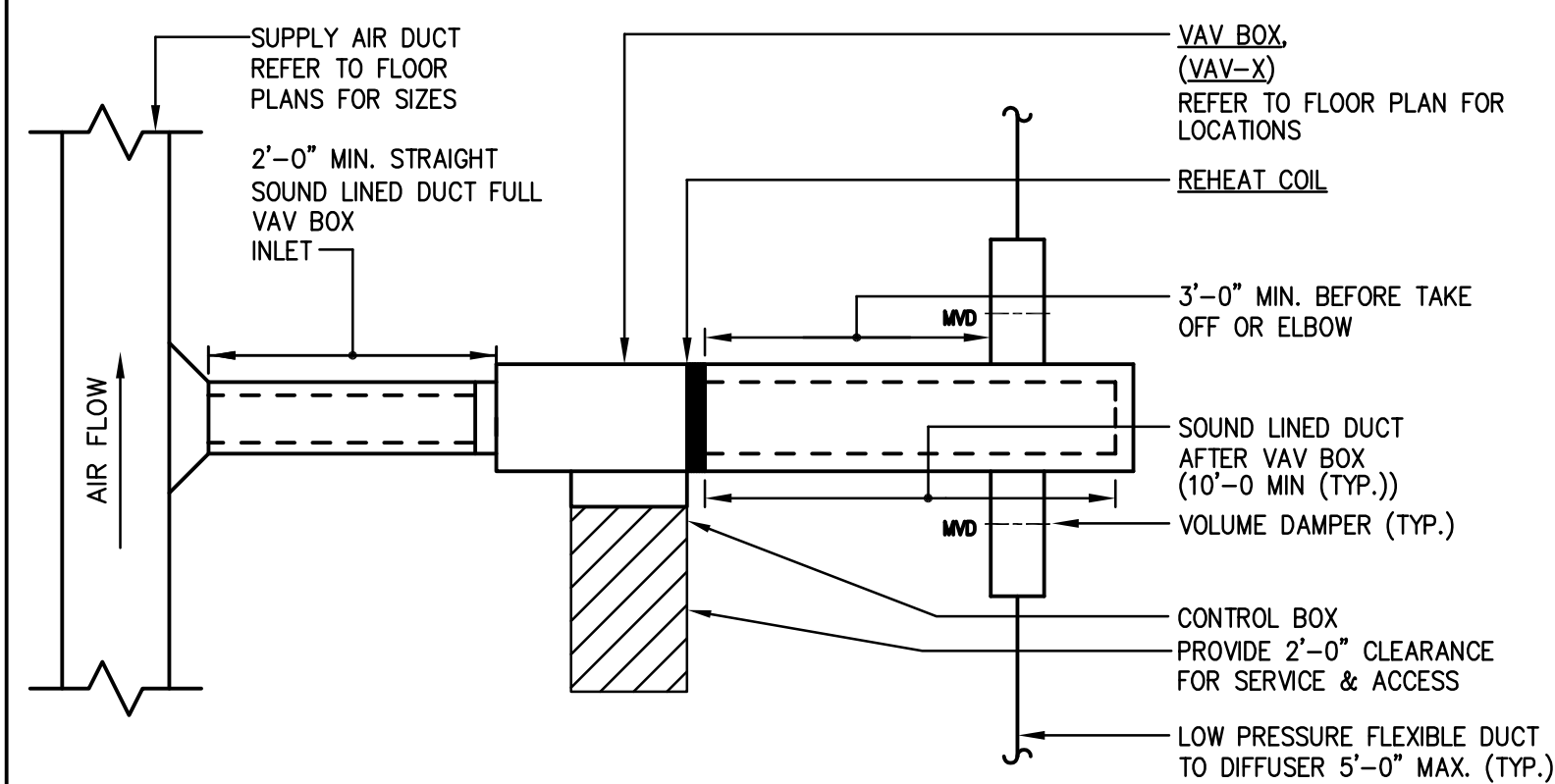


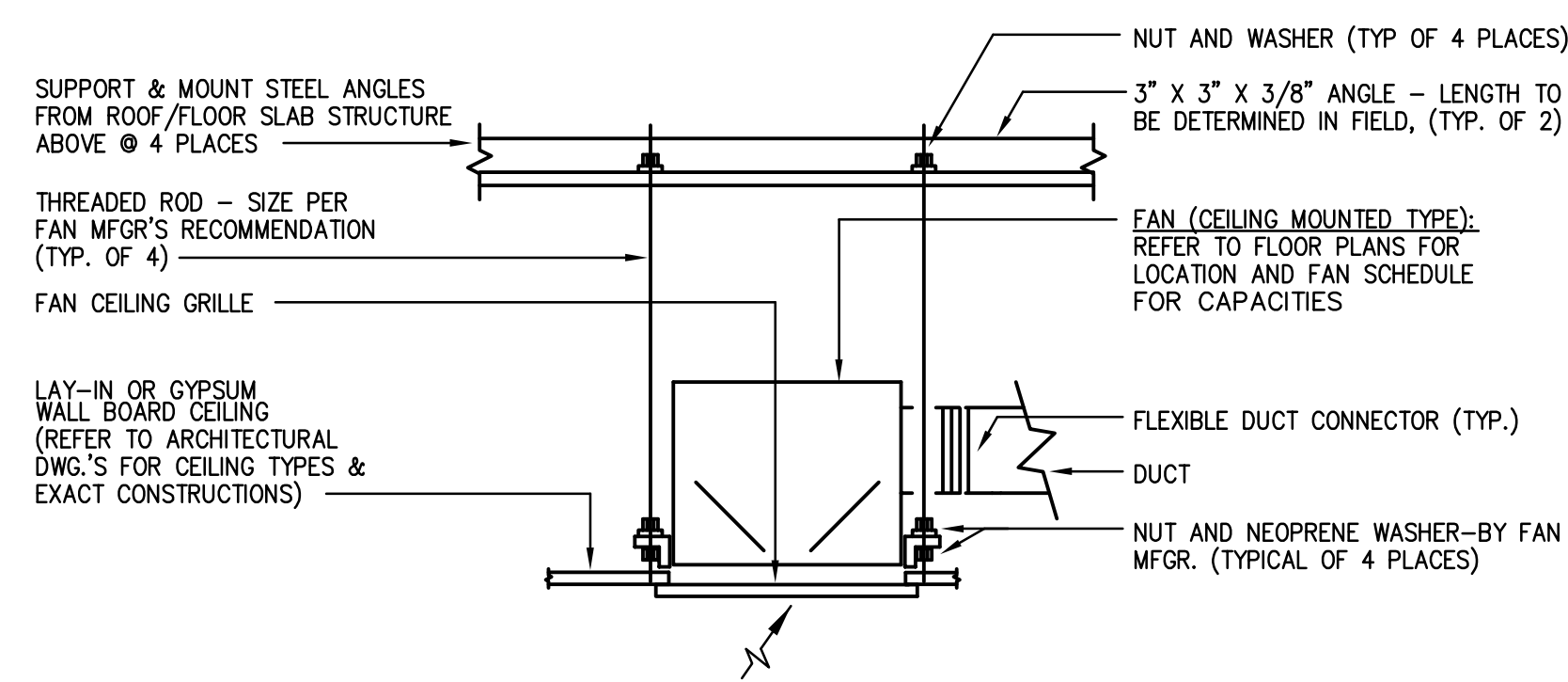
**1 DETAIL - TYPICAL DIFFUSER CONNECTION**  
NOT TO SCALE



**4 DETAIL - TYPICAL CONDENSATE PIPE AND TRAP**  
NOT TO SCALE



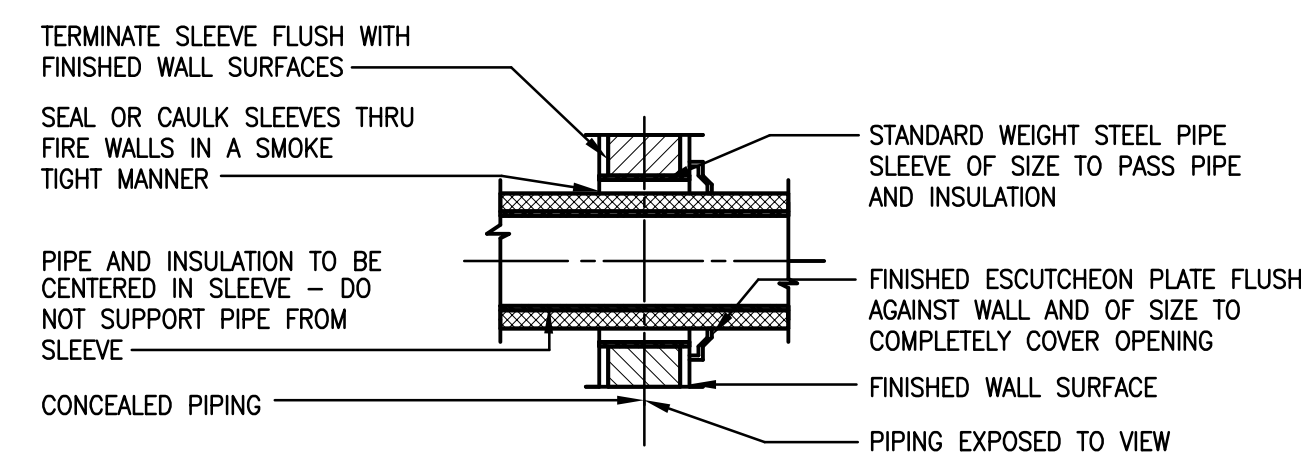
**9 SERIES FAN POWERED VAV BOX CONNECTION WITH REHEAT COIL - DETAIL**  
NOT TO SCALE



**2 DETAIL - TYPICAL CEILING MOUNTED FAN MOUNTING**

SCALE: NONE  
NOTES:

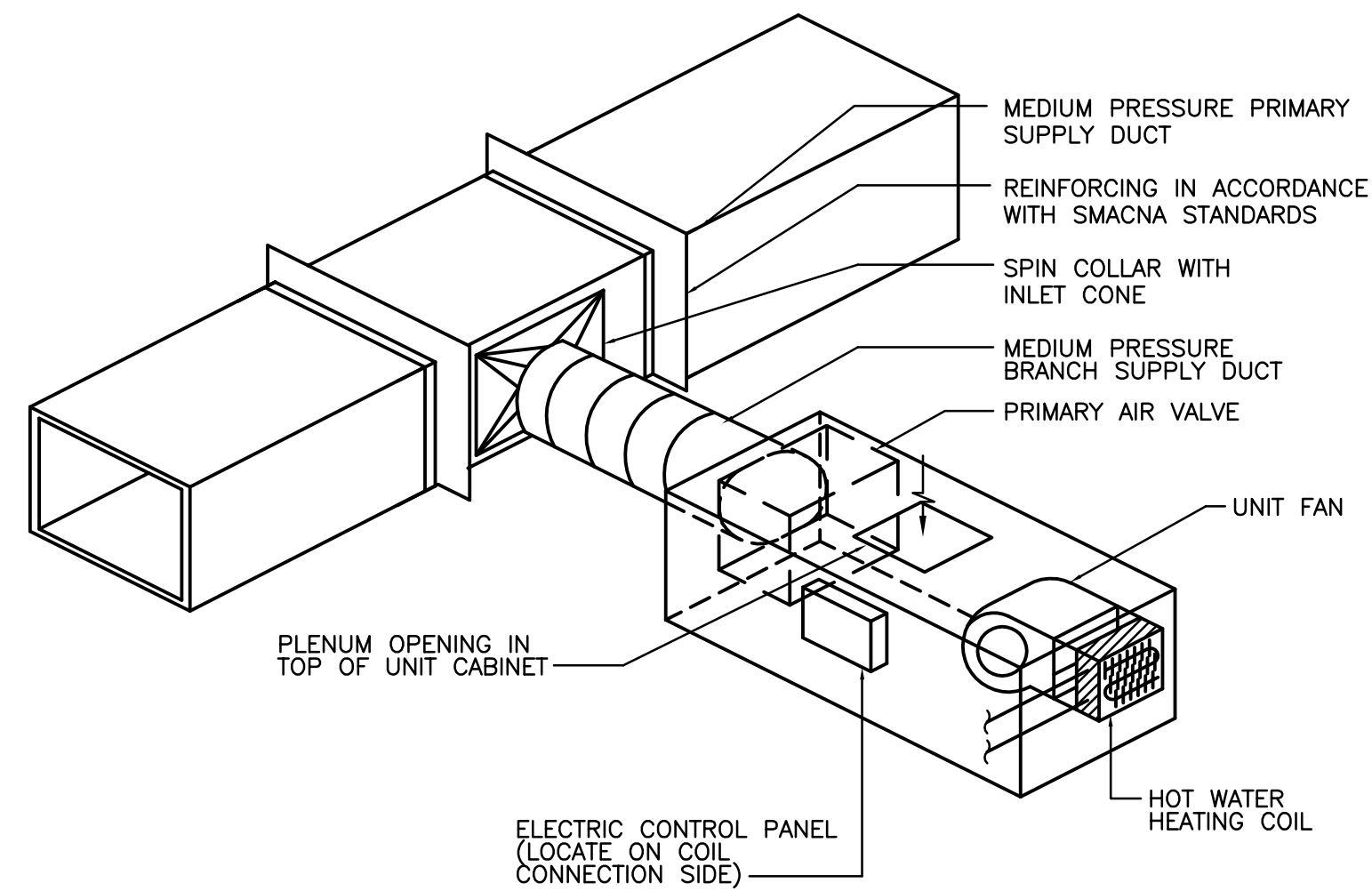
1. ALL FAN COMPONENTS - MOTOR, ELECTRICAL, ETC., SHALL BE SERVICABLE THROUGH REMOVABLE UNIT MOUNTED CEILING GRILLE.



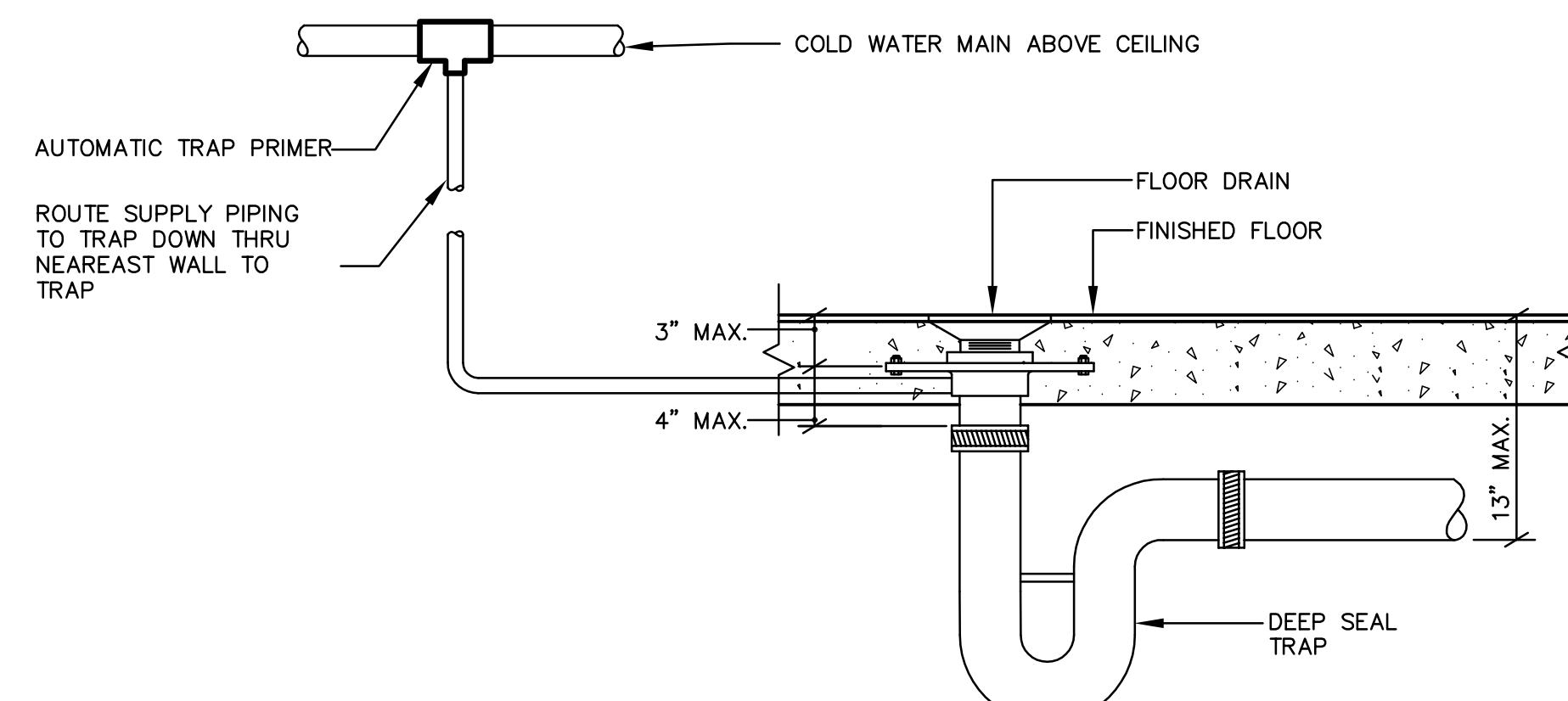
**5 DETAIL - TYPICAL PIPE SLEEVE THROUGH INTERIOR WALL**

NOT TO SCALE  
NOTES:

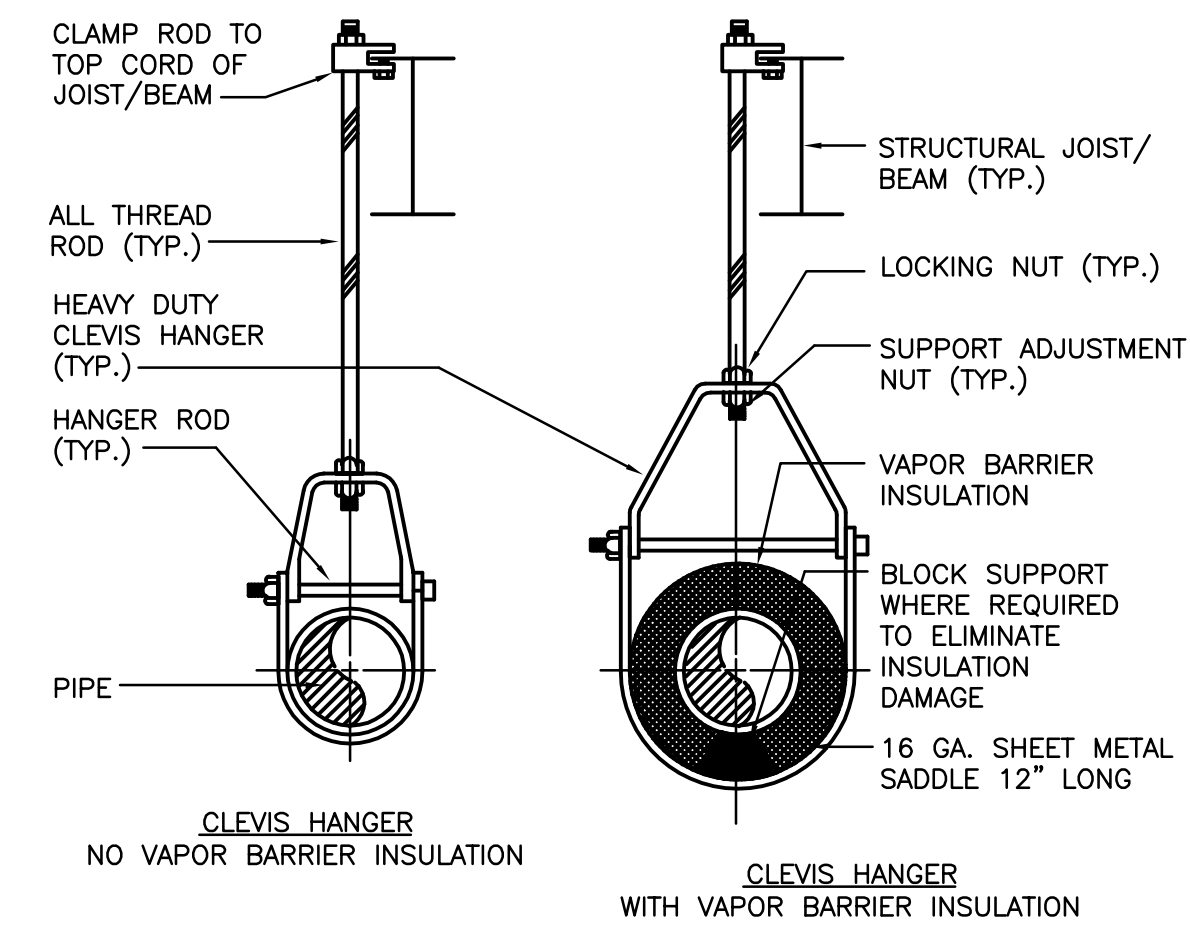
1. REFER TO ARCHITECTURAL DRAWINGS FOR EXACT WALL CONSTRUCTIONS.



**7 SERIES FAN POWERED VAV BOX CONNECTION WITH HOT WATER HEAT COIL - DETAIL**  
NOT TO SCALE

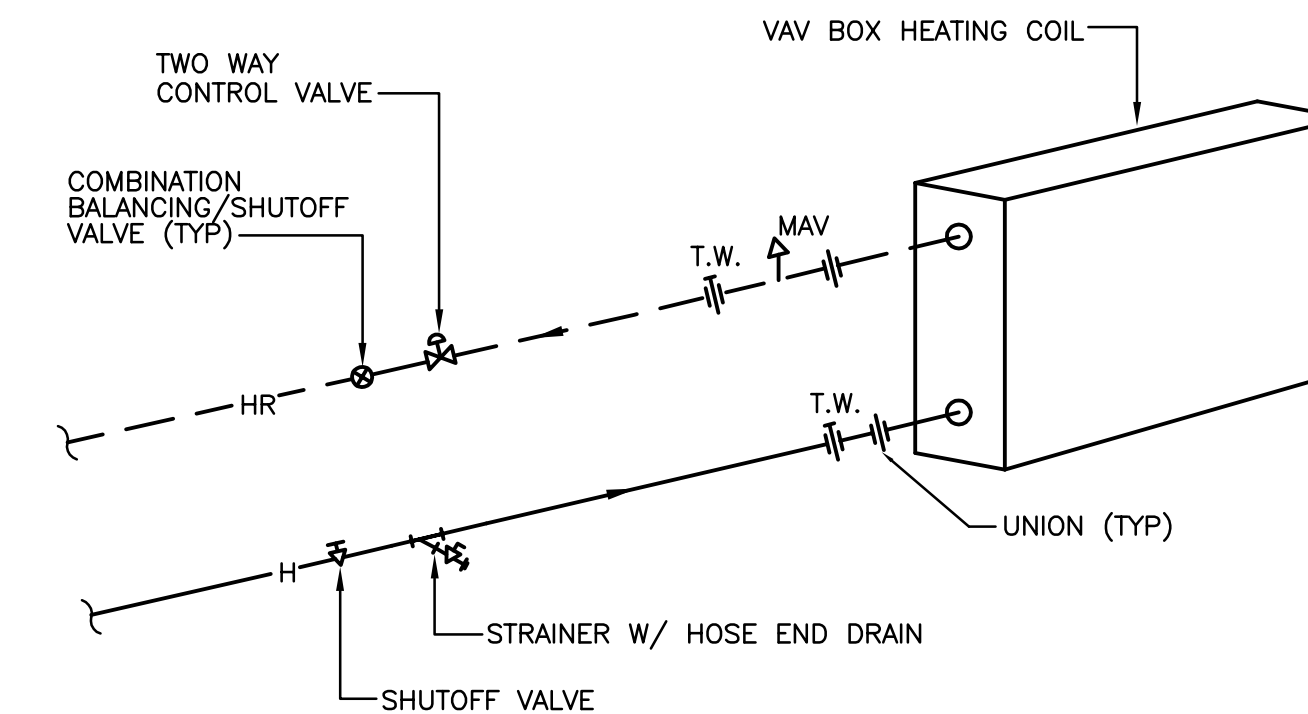


**10 DETAIL - TYPICAL FLOOR DRAIN w/TRAP PRIMER**  
NOT TO SCALE



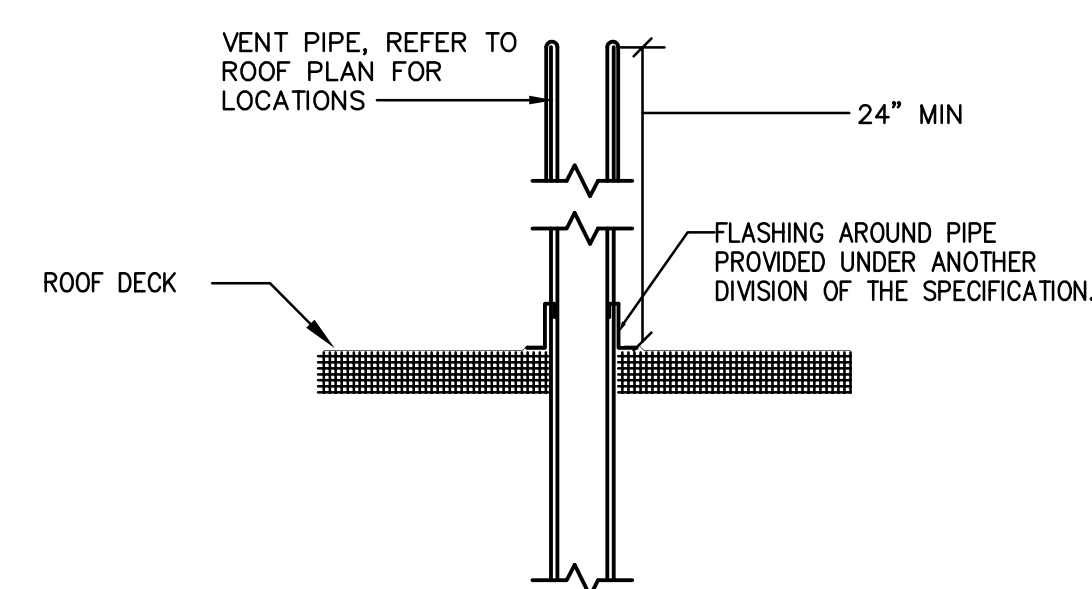
**3 PIPE SUPPORT DETAIL**

NOT TO SCALE



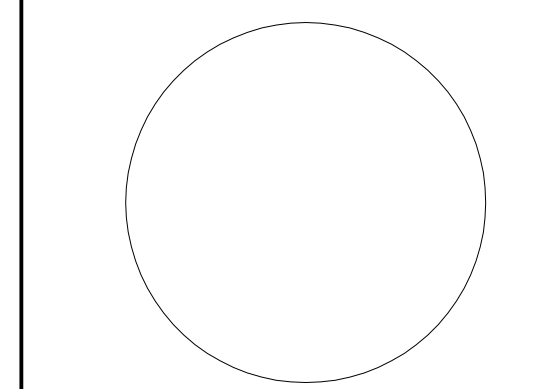
**6 DETAIL - VAV BOX HEATING COIL PIPING DIAGRAM**

NOT TO SCALE



**8 DETAIL - TYPICAL VENT THROUGH ROOF**

NOT TO SCALE



"Professional Certification. I hereby certify that these documents were prepared or approved by me, and that I am a duly licensed professional engineer under the laws of the state of Maryland, License No. 16961, Expiration Date: 2012-06-14."

PROJECT TITLE

**TCC/SHORE  
TRANSIT  
EXISTING  
BUILDING**

31901 TRI-COUNTY WAY  
SALISBURY, MD 21804

ISSUED  
FOR BIDDING ONLY  
DATE: 03/29/11

SHEET TITLE

**SHEET TITLE**  
DETAILS

KEY PLAN

MARK	DATE	DESCRIPTION
	03/29/11	ISSUED FOR BIDDING
	2/1/2011	ISSUED FOR BIDDING

PROJECT NO: 2009145.00  
DATE: 03/29/11  
SCALE:  
DRAWN BY: MRW PROJ MGR: TRC

**M002**