



"Professional Certification. I here by certify that these documents were prepared or approved by me, and that I am a duly licensed professional engineer under the laws of the state of Maryland, License No. 16961, Expiration Date: 2012-06-14."

PROJECT TITLE

**TCC/SHORE
TRANSIT
EXISTING
BUILDING**

31901 TRI-COUNTY WAY
SALISBURY, MD 21804

**ISSUED
FOR BIDDING ONLY**
DATE: 03/29/11

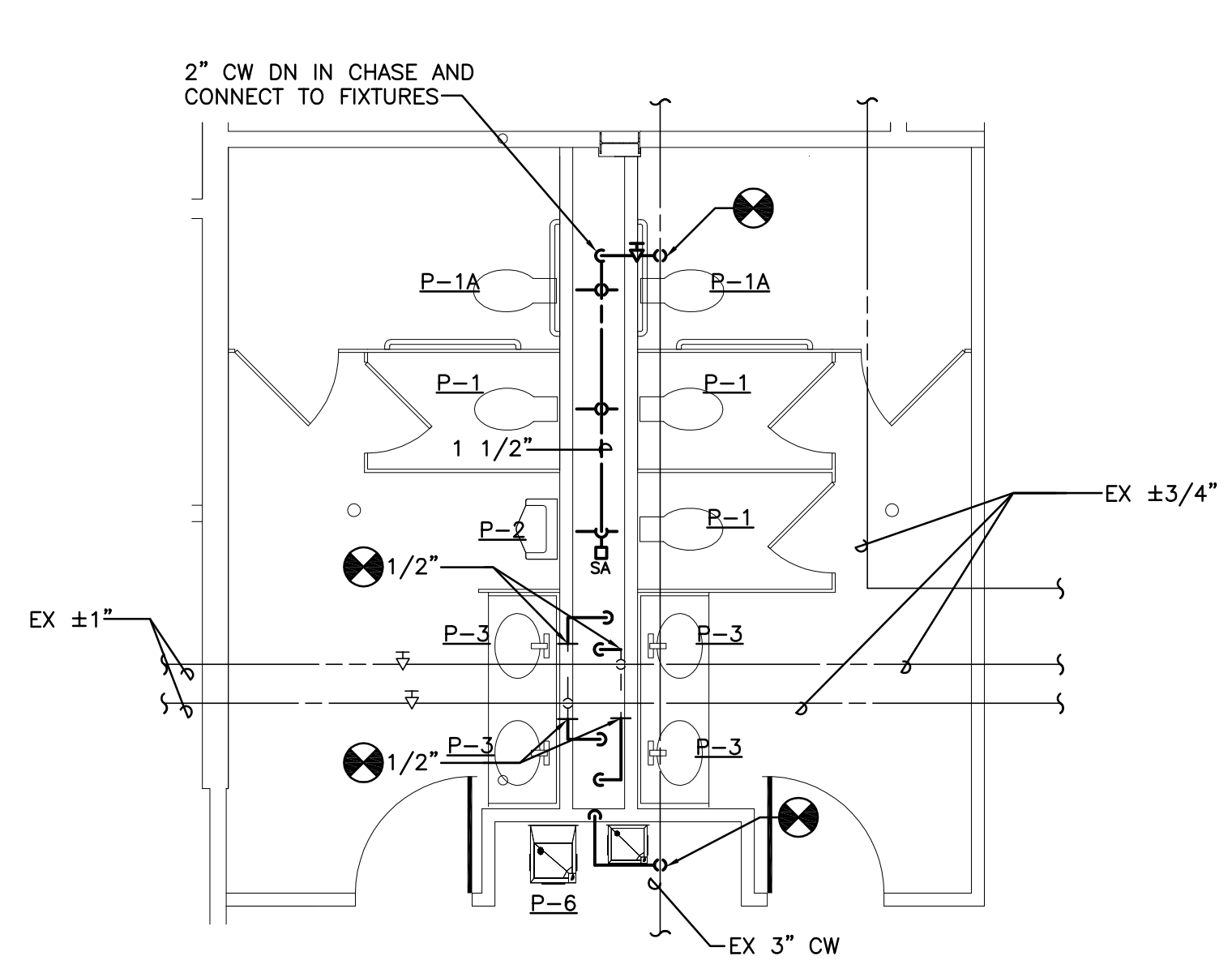
SHEET TITLE

**SHEET TITLE
FIRST FLOOR PLAN -
PLUMBING - NEW
WORK**

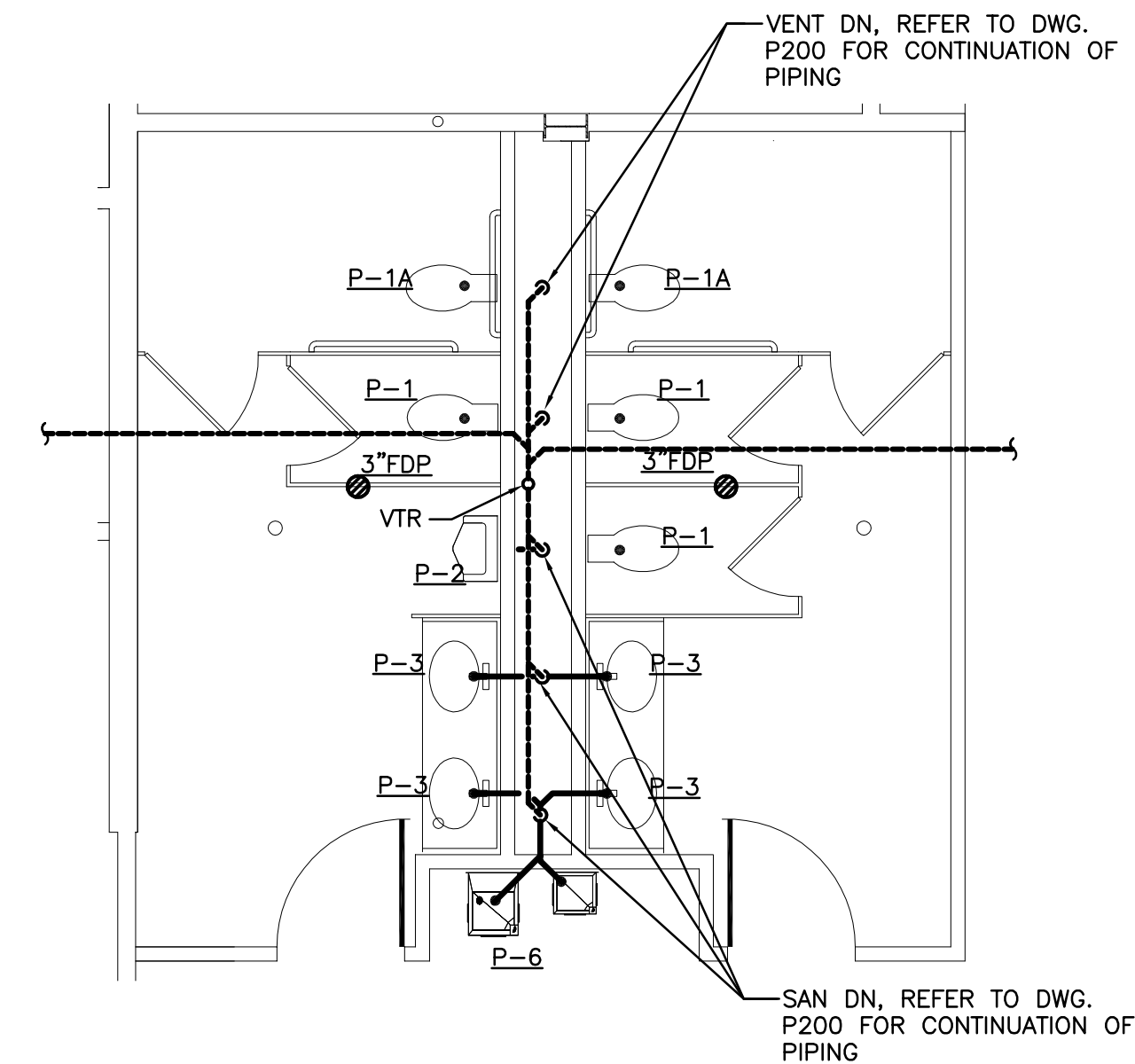
KEY PLAN

MARK	DATE	DESCRIPTION
	03/29/11	ISSUED FOR BIDDING
	2/1/2011	ISSUED FOR BIDDING
PROJECT NO: 2009145.00		
DATE: 03/29/11		
SCALE:		
DRAWN BY: MRW PROJ MGR: TRC		

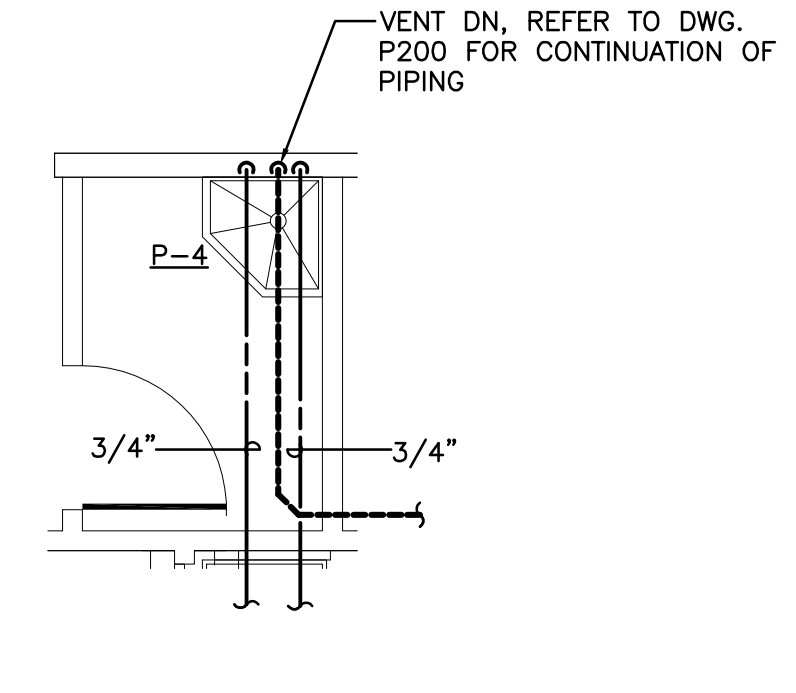
P201



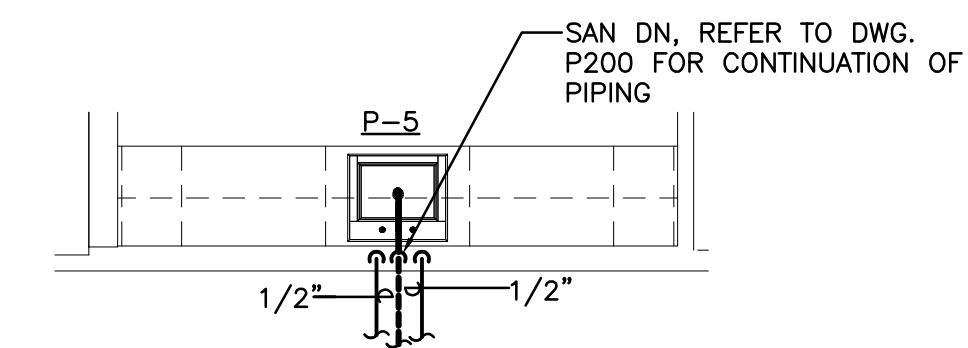
**2 PART PLAN - MEN'S 107
WOMEN'S 108 - DOMESTIC
WATER**
SCALE: 1/4" = 1'-0"



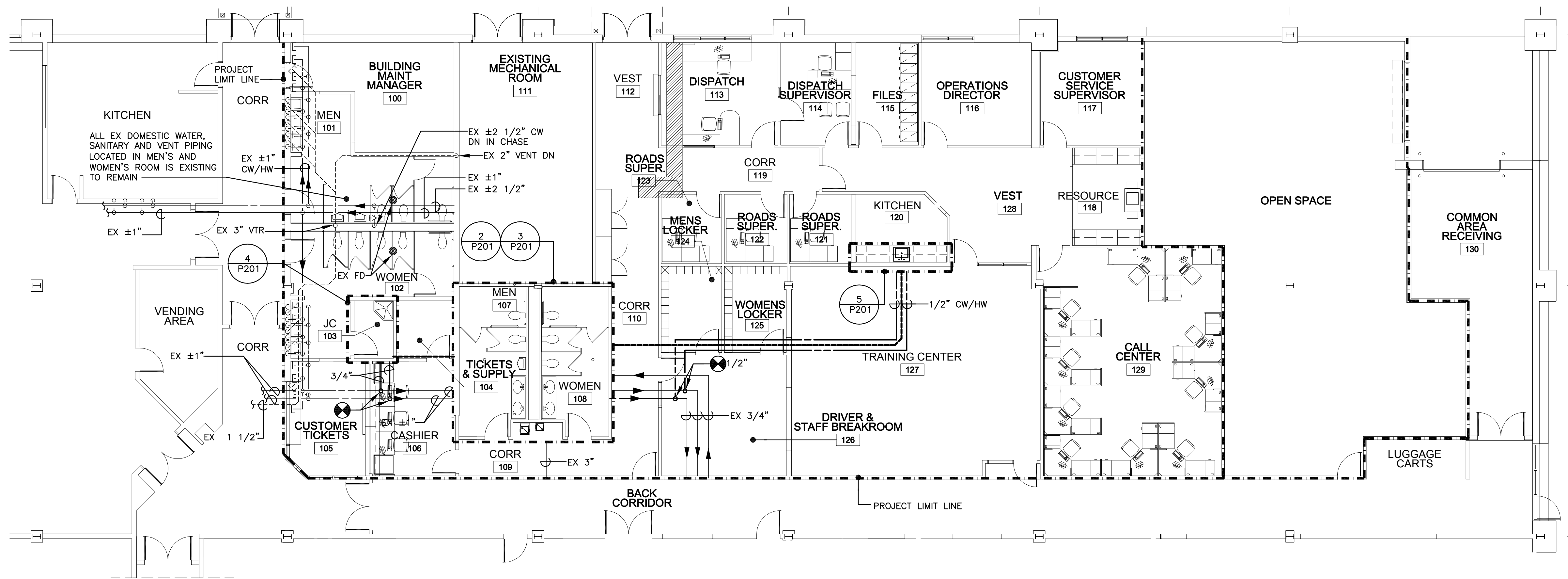
**3 PART PLAN - MEN'S 107
WOMEN'S 108 - SANITARY**
SCALE: 1/4" = 1'-0"



**4 PART PLAN -
JC 103**
SCALE: 1/4" = 1'-0"



**5 PART PLAN -
KITCHEN 120**
SCALE: 1/4" = 1'-0"



1 FIRST FLOOR PLAN - PLUMBING - NEW WORK
SCALE: 1/8" = 1'-0"
NOTES:
1. REFER TO SANITARY RISER DIAGRAM ON DWG. P300 FOR ALL SANITARY AND VENT PIPE SIZES NOT SHOWN ON THIS PLAN.
2. MEN 101 AND WOMEN 102 MANUAL FLUSH VALVES TO BE REPLACED WITH BATTERY POWERED AS REQUIRED. LAVATORY FAUCETS TO REMAIN AS MANUAL CONTROL.
3. MEN 107 AND WOMEN 108, NEW FLUSH VALVES AND LAVATORY FAUCETS TO BE LOW VOLTAGE HARD-WIRED.

