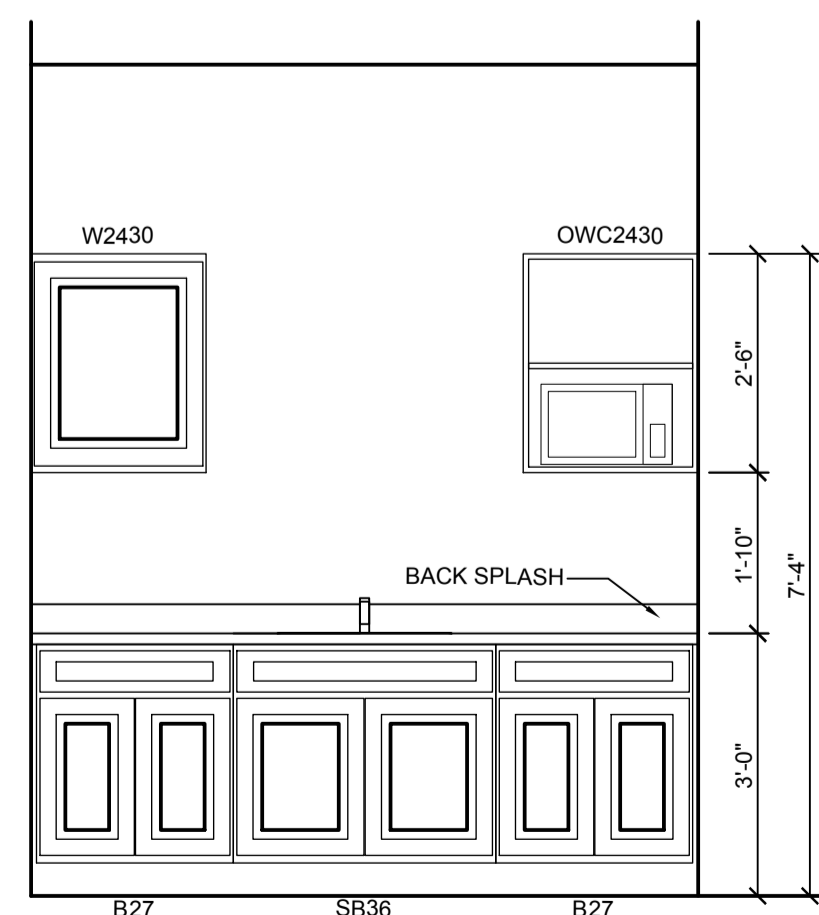
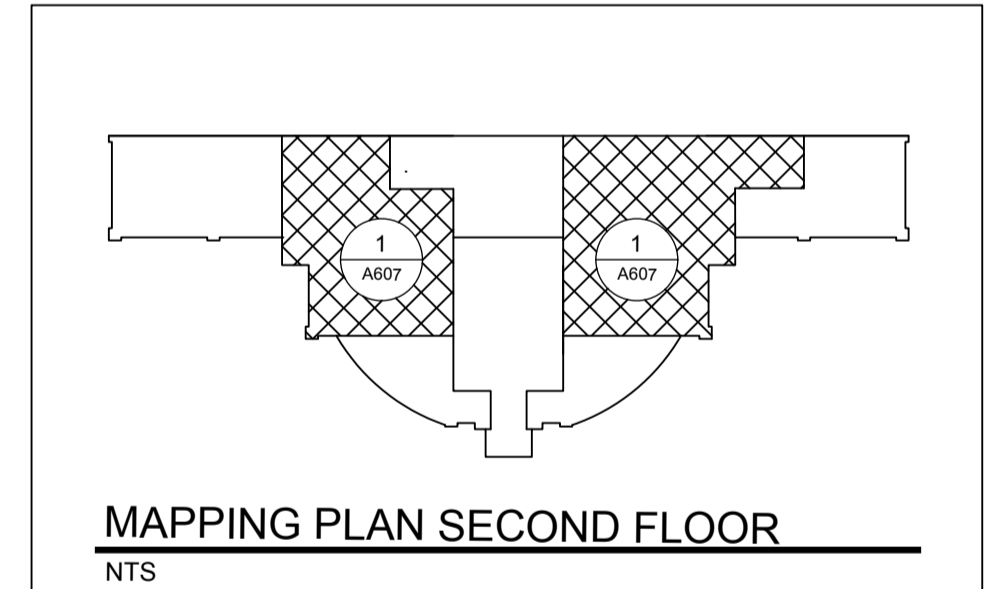
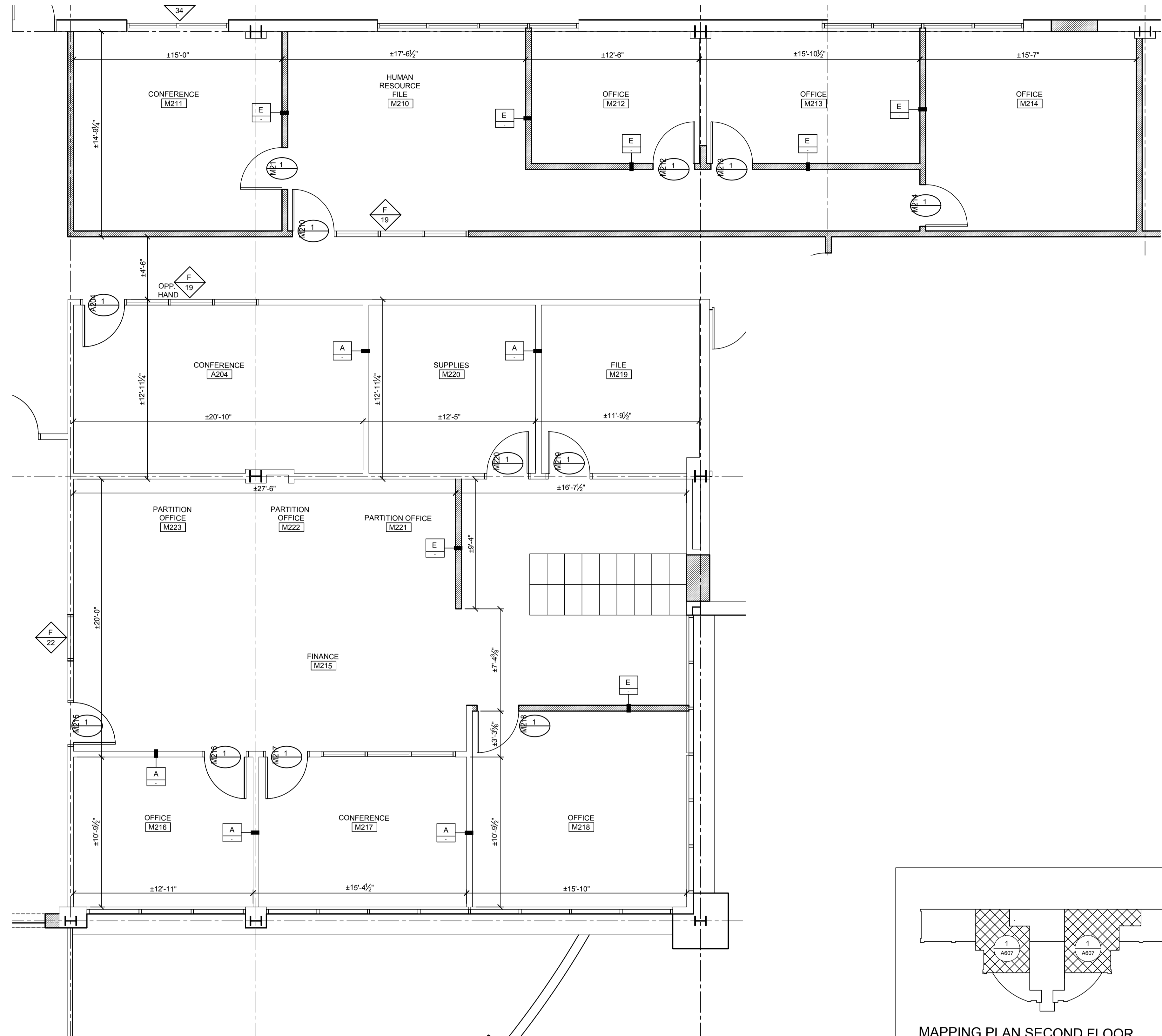
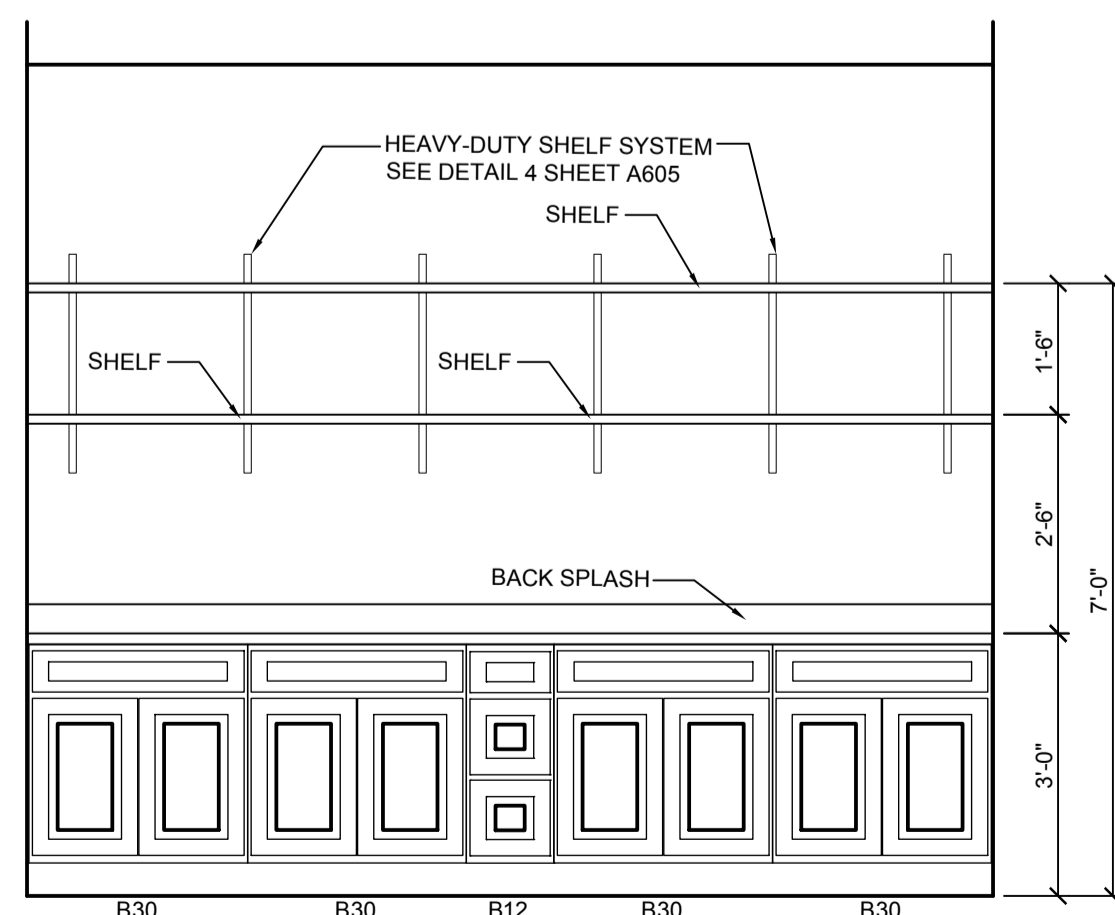


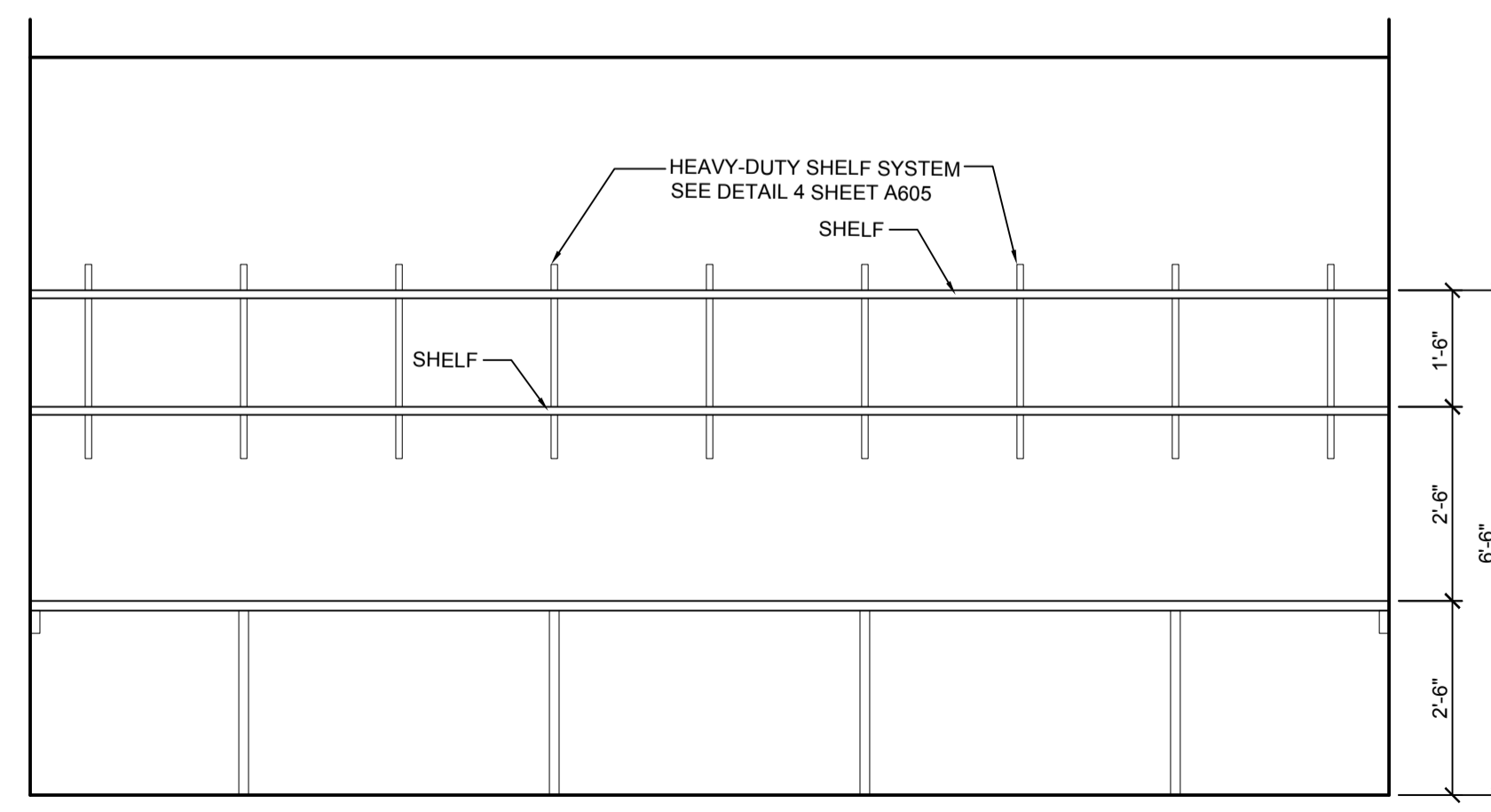
1 TCC SPACE PLAN
SCALE: 1/4" = 1'-0"



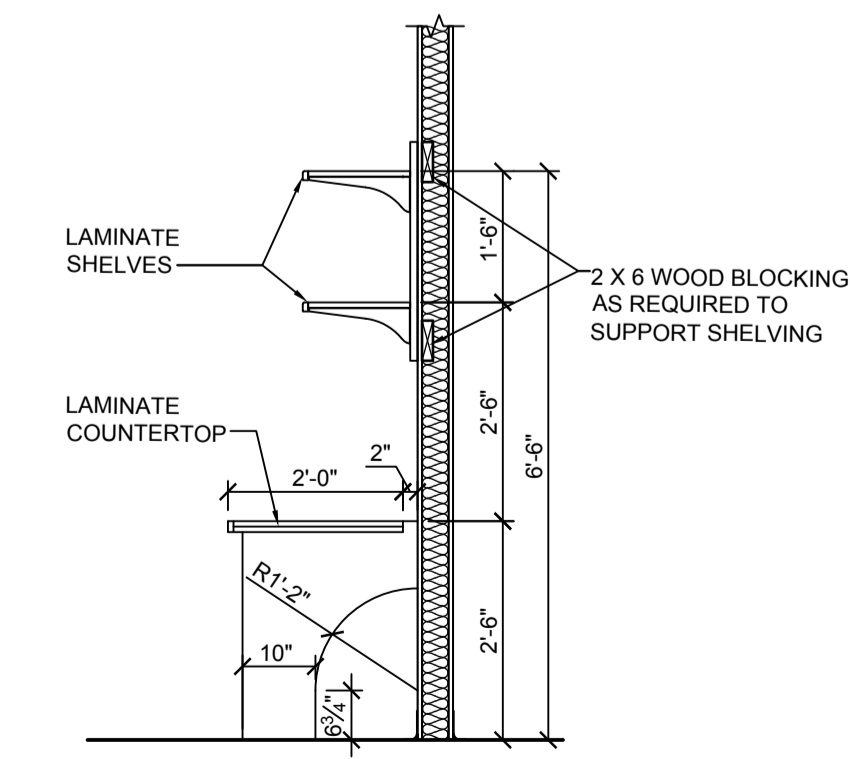
2 INTERIOR ELEVATION
SCALE: 1/2" = 1'-0"



3 INTERIOR ELEVATION
SCALE: 1/2" = 1'-0"



4 INTERIOR ELEVATION
SCALE: 1/2" = 1'-0"



5 SECTION
SCALE: 1/2" = 1'-0"

NO.	DATE	REVISIONS	NO.	DATE	REMARKS

LEGIBILITY: PRINT THESE REVISIONS ON APPROVED DRAWINGS ONLY FOR THE USE OF THE STATE OF MARYLAND
KIRBY NOTTINGHAM, INC. 2027
LIVINGSTONE DRIVE, LOUISIANA, MISSISSIPPI

ARCHITECTURE
ENGINEERING
INCORPORATED
IOTT
310 HAMMOND ST. SUITE 109 SALISBURY, MARYLAND
(410) 789-7229 • FAX (410) 749-0001

TRI - COUNTY MULTI-PURPOSE CENTER
BUILDING ENVELOPE AND
INTERIOR RENOVATION
SALISBURY, MARYLAND
TCC SPACE PLAN

PRINT DATE: 11.12.2010
IOTT PROJ. NO.: 09-035
DESIGN BY: JI
SCALE: AS NOTED
STAGE: ISSUED FOR BID
DWG. FILE: 09-035-A607

A
607