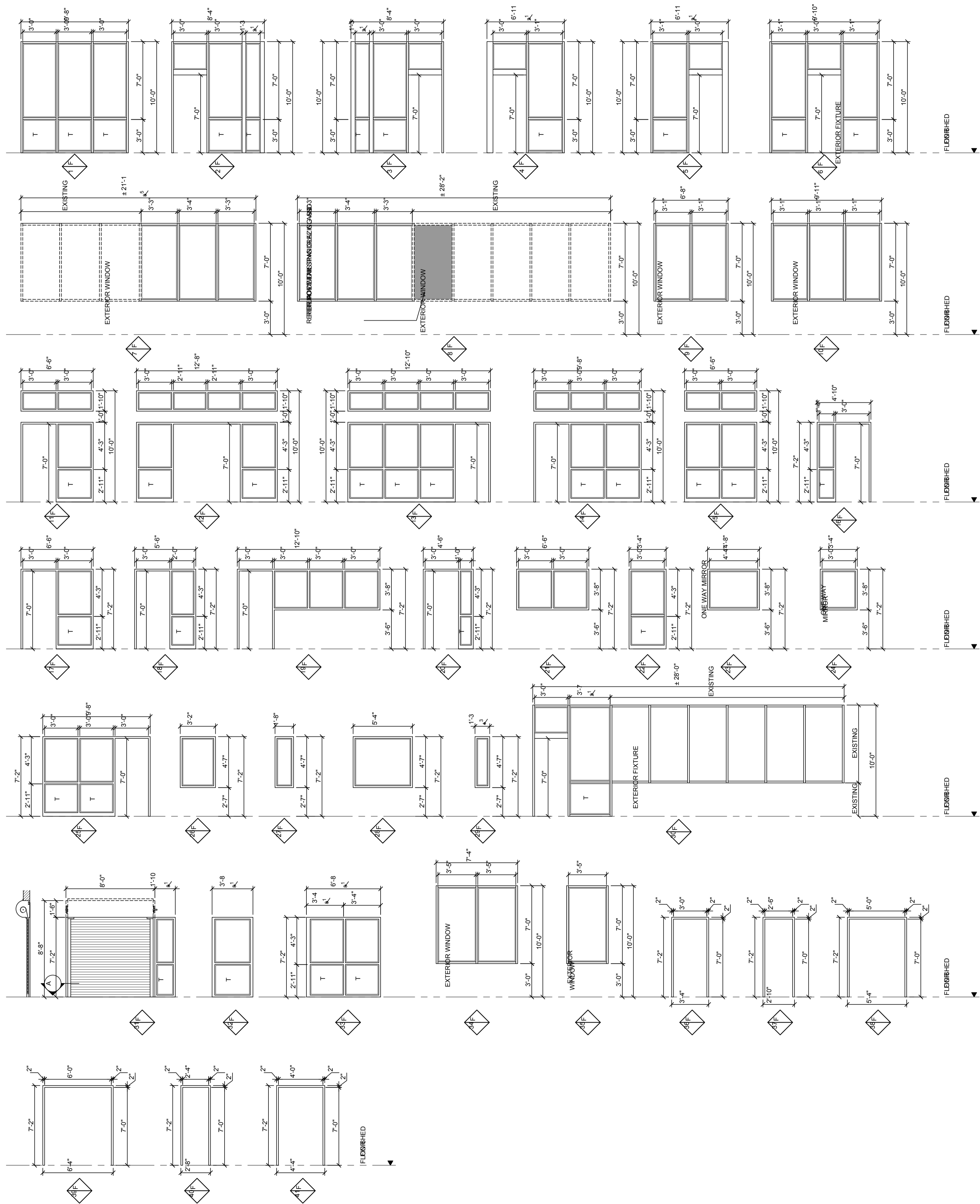


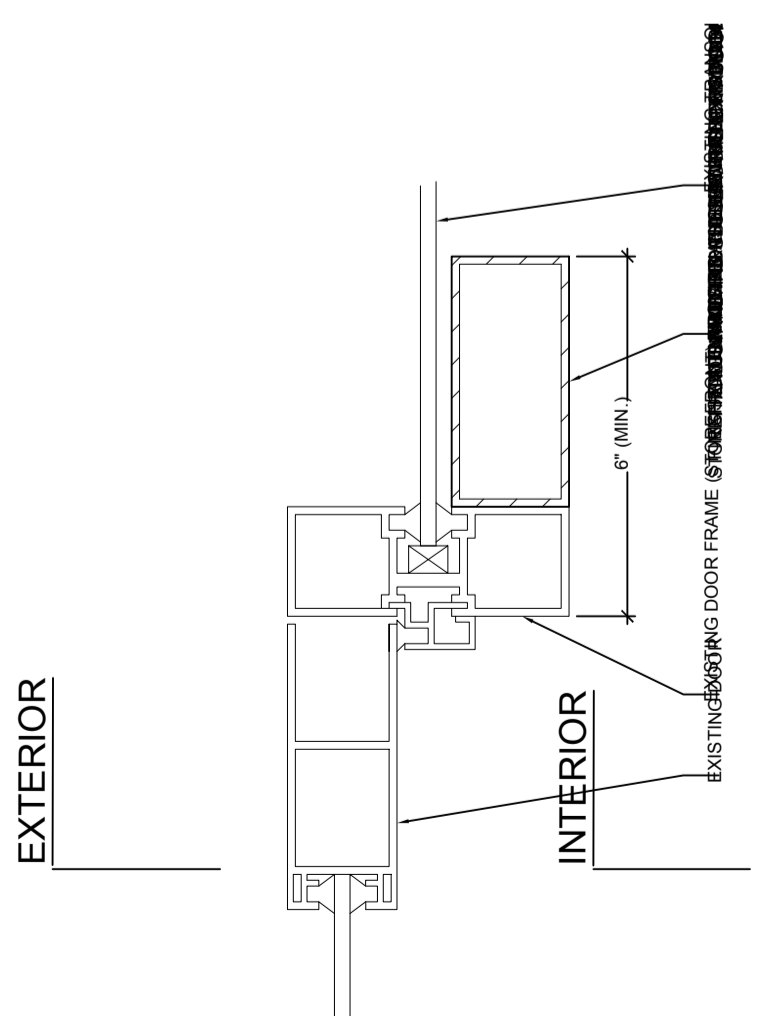
FRAME TYPES
SCALE: 1/4" = 1'-0"

NOTE:
ALL EXTERIOR STOREFRONT SYSTEM AND SKYLIGHT SHALL HAVE SOLAR HEAT GAIN AND UV FILM PROTECTION ON THE INBOARD OF EXISTING AND NEW GLAZING.
ALL GLAZING SHALL MEET IBC 2006, SECTION 2406 SAFETY GLAZING REQUIREMENT.
T = SAFETY GLAZING



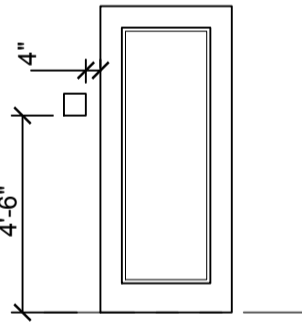
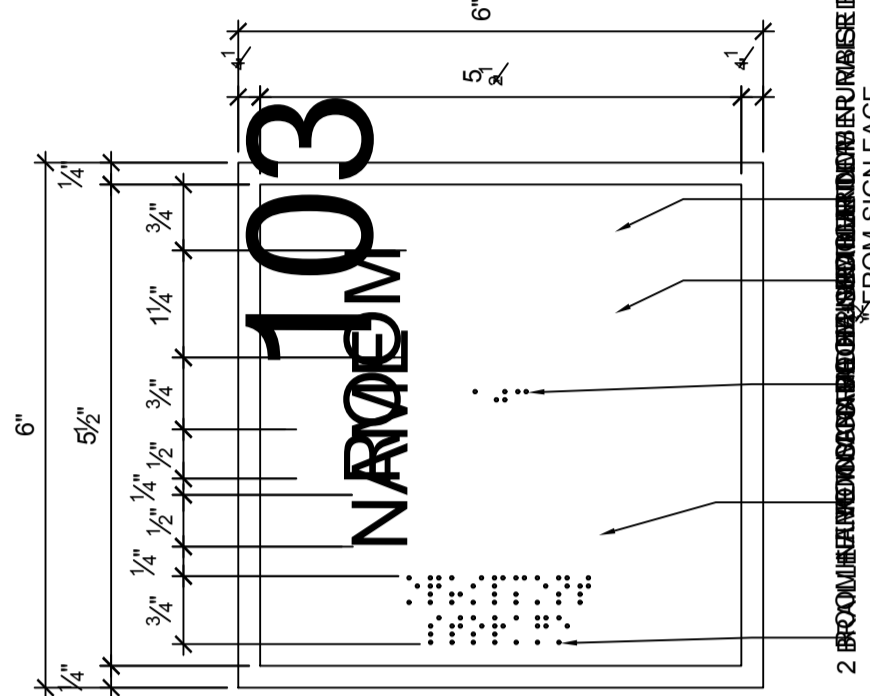
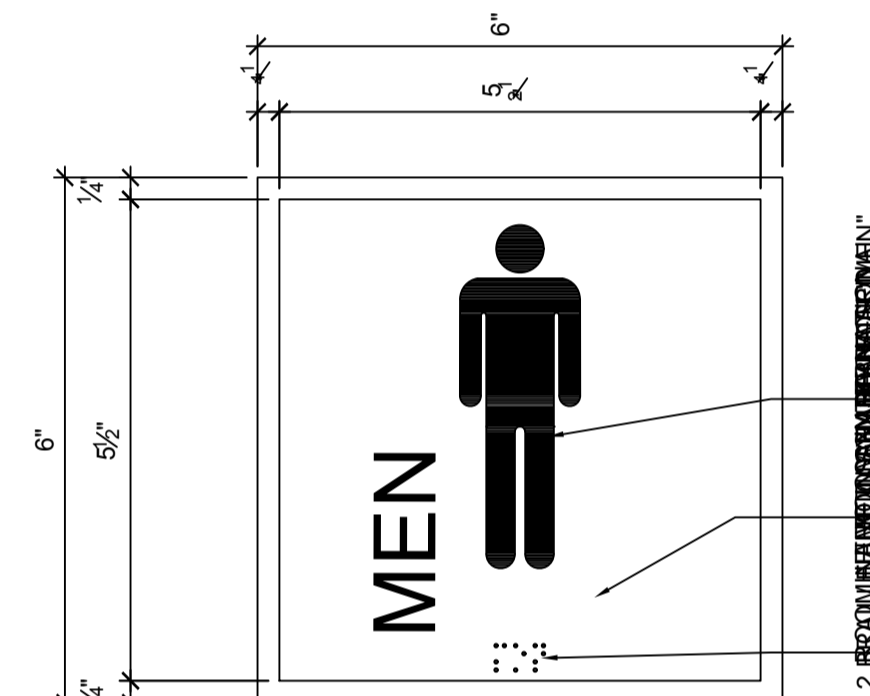
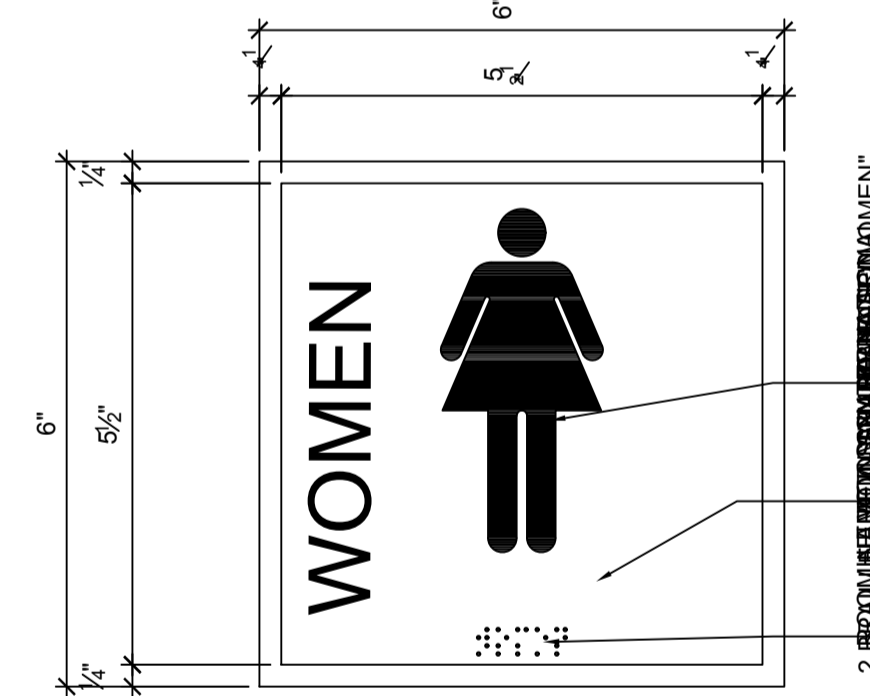
EXTERIOR

INTERIOR



B DOOR HEAD MODIFICATION DETAIL - DOOR 1/A119
SCALE: 3/8" = 1'-0"

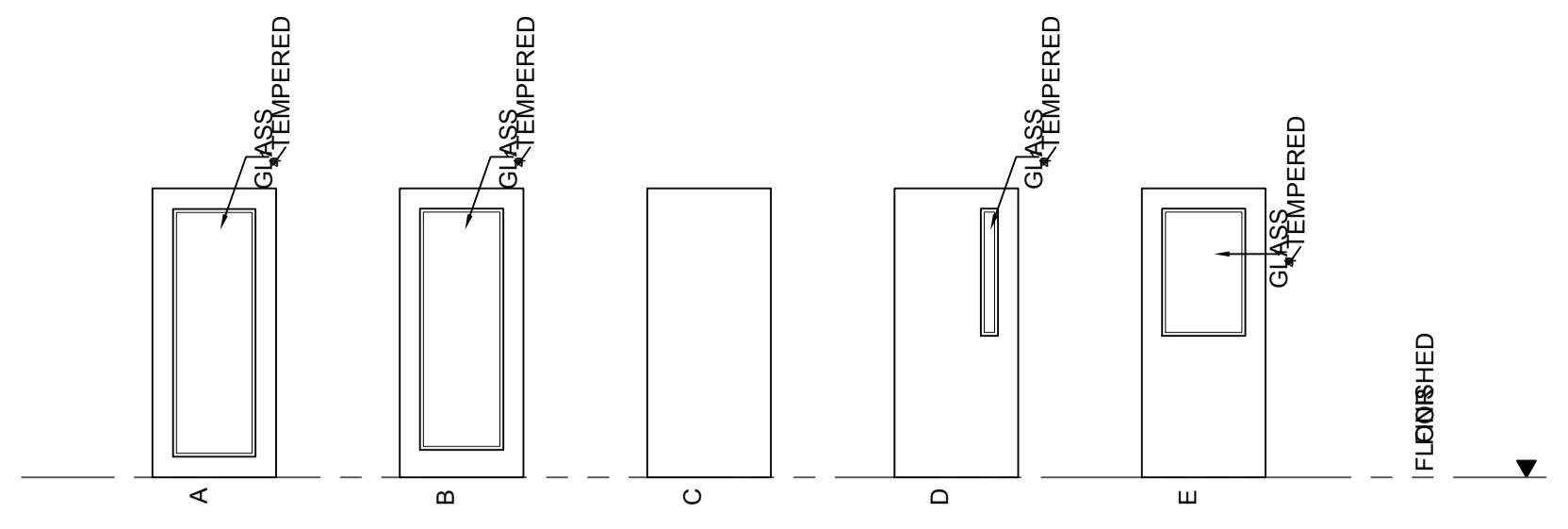
SIGNAGE
SCALE: N.T.S.



A JAMB DETAIL
SCALE: 3/8" = 1'-0"

CURTAIN

DOOR TYPES
SCALE: 1/4" = 1'-0"



PRINT DATE: 11.12.2010
IOTT PROJ. NO.: 09-035
DESIGN BY: JI
DRAWN BY: JT
SCALE: AS NOTED
STAGE: ISSUED FOR BID
DWG. FILE: 09-035-A902

TRI - COUNTY MULTI-PURPOSE CENTER
BUILDING ENVELOPE AND
INTERIOR RENOVATION
SALISBURY, MARYLAND

IOTT
ARCHITECTURE
ENGINEERING
INCORPORATED
310 HAMMOND ST. SUITE 109 SALISBURY, MARYLAND
(410) 749-7229 • FAX (410) 749-0001

LEGIBILITY: IOTT THESE
DRAWINGS HAVE BEEN
APPROVED BY A SEALY
REGISTERED PROFESSIONAL
ENGINEER FOR THE
UNIFORM BUILDING CODE
OF THE STATE OF
MARYLAND
KERRI WITTELOUSE, P.E. 007
LICENSED PROFESSIONAL ENGINEER

REVISIONS		NO.	DATE	REMARKS

A 902